

4SCU16LE

PRODUCT SPECIFICATIONS

16 SEER SPLIT SYSTEM AIR CONDITIONER

FORM NO. 4SCU16LE-100 (12/2017)



COMPRESSOR

- High-efficiency scroll compressor
- R410a refrigerant
- Grommet-mounted compressor for quiet operation
- Protected against high temperature motor overload conditions
- Heavy-duty compressor sound blanket for quiet operation

CABINET

- Full metal louvered panel coil guard protection, that is easily removed for coil cleaning
- Controls located in corner for easy installation and service
- Rounded corners for safety and attractive, clean appearance
- Baked polyester paint finish over galvanized steel for maximum durability
- PVC-coated wire fan discharge grille
- External gauge ports for easy service

COMPONENTS

- Filter drier shipped loose for installation flexibility
- Service valves positioned for quick installation and easy service
- Charged for 15 ft. of line set
- Trade available components
- High and low pressure switches factory installed

COIL

- Enhanced aluminum fins and copper tubing for high efficiency and capacity
- Raised coil prevents debris from collecting in bottom of coil and causing loss of airflow

DESIGN

- Designed for ambients up to 125°F

ACCESSORIES

- Low ambient control
- TXV kits
- Crankcase heater
- Hard start kits
- Short cycle protection

WARRANTY

10 year limited warranty on compressor, 10 year limited warranty on all parts, extended warranty available*

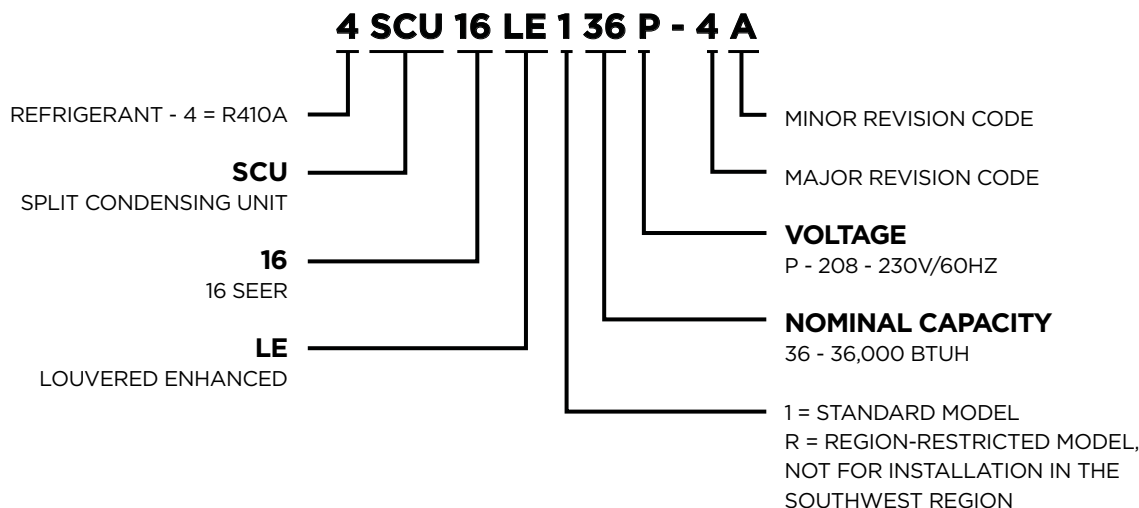
**Warranty provides for a total of 10 years of limited warranty coverage (Standard 5-year limited parts warranty plus an additional 5-year limited extended parts warranty). Warranty must be registered online within 60 days of installation to qualify for 10-year coverage.*

Unregistered equipment defaults to 5-year coverage. Lifetime limited heat exchanger warranty applies to registered equipment only

(Standard 20 years with no online registration). See full warranty at www.alliedair.com for terms, conditions and exclusions.



MODEL NUMBER GUIDE



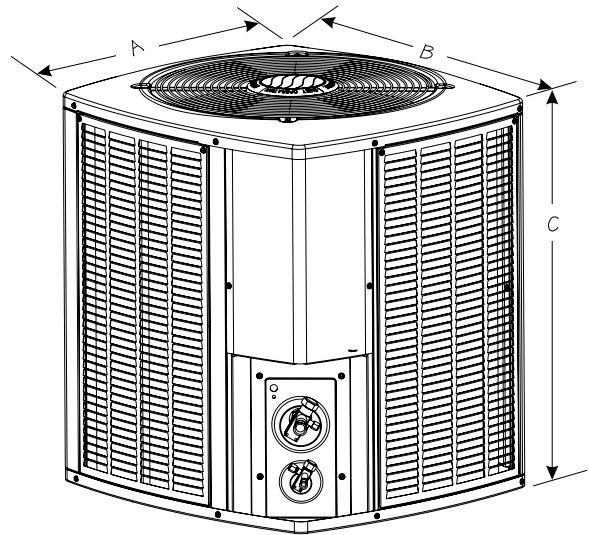
ELECTRICAL AND PHYSICAL DATA

Model	Voltage/ Hz/ Phase	Voltage Range	Min. Circuit Amp.	Max. Over Current Device (amps)	Compressor		Outdoor Fan Motor			Refrig. Charge (oz.):	Shipping Weight (lbs.)
					Rated Load (Amps)	Locked Rotor (Amps)	Rated Load (amps)	Rated HP	Nom. RPM		
4SCU16LE118P-7	208-230/60/1	197-253	12.4	20	9.4	56.6	0.7	1/10	1075	77	150
4SCU16LE124P-7	208-230/60/1	197-253	15.0	25	11.2	60.8	1.0	1/6	825	86	160
4SCU16LE130P-7	208-230/60/1	197-253	17.0	25	12.8	67.8	1.0	1/6	825	100	180
4SCU16LE136P-7	208-230/60/1	197-253	18.6	30	14.1	83	1.0	1/6	825	102	185
4SCU16LE142P-7	208-230/60/1	197-253	24.1	40	17.9	113	1.7	1/4	825	160	208
4SCU16LE141P-4	208-230/60/1	197-253	22.6	35	16.7	79	1.7	1/4	825	161	210
4SCU16LE147P-4	208-230/60/1	197-253	26.7	45	19.9	109	1.8	1/3	825	179	251
4SCU16LE148P-4	208-230/60/1	197-253	26.6	45	19.8	109	1.7	1/4	825	174	220
4SCU16LE159P-4	208-230/60/1	197-253	34.1	50	25.0	134	2.8	1/3	825	178	235
4SCU16LE160P-4	208-230/60/1	197-253	34.8	60	26.4	134	1.8	1/3	825	192	253

Note:
Weights listed are unit weights with packaging
+ Factory charged for 15 feet of line set. Adjust per installation instructions.

DIMENSIONS (IN.) AND SOUND RATINGS

Model	Dimensions (inch)			Sound Rating (dBA)
	A - Width	B - Depth	C - Height	
4SCU16LE118P-7	24.75	26.75	29.75	71
4SCU16LE124P-7	29.38	31.25	29.75	76
4SCU16LE130P-7	29.38	31.25	37.75	74
4SCU16LE136P-7	29.38	31.25	37.75	74
4SCU16LE142P-7	29.38	31.25	33.75	76
4SCU16LE141P-4	29.38	31.25	37.75	76
4SCU16LE147P-4	29.38	31.25	37.75	80
4SCU16LE148P-4	29.38	31.25	33.75	80
4SCU16LE159P-4	35.75	37.75	37.75	78
4SCU16LE160P-4	35.75	37.75	37.75	80



Note:
Dimensions listed are unit sizes w/o packaging

COOLING PERFORMANCE WITH EVAPORATOR COILS

Outdoor Model	Indoor Model	SEER	EER	AHRI Rated Capacity(1) BTUH	Rated Sensible BTUH	CFM	Refrigerant Connection				Refrigerant Line Set		Indoor Expansion Device	
							Outdoor		Indoor		Suction	Liquid	Piston(2)	TXV
	Suction						Liquid	Suction	Liquid					
4SCU16LE118P-1	EC4X29(A,B)+45 SEC BLOWER DELAY	14.5	12.2	18000	13000	650	3/4	3/8	3/4	3/8	3/4	3/8	0.053	A4TXV01
	E*1P23(A,B)+TDR	14.25	12.2	18000	13000	650	3/4	3/8	3/4	3/8	3/4	3/8	0.053	
	E*1P29(A,B)+TDR	14.25	12.2	18000	13000	650	3/4	3/8	3/4	3/8	3/4	3/8	0.053	
	E*1P36(A,B,C)+TDR	14.25	12.2	18000	13000	650	3/4	3/8	3/4	3/8	3/4	3/8	0.053	
	E*1P30(A,B,C)+45 SEC BLOWER DELAY	14	12.2	18000	13000	650	3/4	3/8	3/4	3/8	3/4	3/8	0.053	
ED1P30/36+H4TXV01+45 SEC BLOWER TIME DELAY	14	12.2	18000	13000	600	3/4	3/8	3/4	3/8	3/4	3/8	0.053		
4SCU16LE124P-1	E*1P36(A,B,C)+TDR	14.5	12.5	23000	17000	800	3/4	3/8	3/4	3/8	3/4	3/8	0.057	
	EC4X29(A,B)+45 SEC BLOWER DELAY	14.5	12.2	23000	17000	850	3/4	3/8	3/4	3/8	3/4	3/8	0.057	
	EC4X36(A,B,C)+45 SEC BLOWER DELAY	14.5	12.5	23000	17000	800	3/4	3/8	3/4	3/8	3/4	3/8	0.057	
	E*1P23(A,B)+H4TXV01+TDR	14.25	12.2	23000	17000	850	3/4	3/8	3/4	3/8	3/4	3/8	0.057	
	EC4X23A,B+TDR	14.25	12.2	23000	17000	850	3/4	3/8	3/4	3/8	3/4	3/8	0.057	
	E*1P23(A,B)+TDR	14	12.2	23000	17000	850	3/4	3/8	3/4	3/8	3/4	3/8	0.057	
	E*1P29(A,B)+TDR	14	12.2	23000	17000	850	3/4	3/8	3/4	3/8	3/4	3/8	0.057	
	E*1P30(A,B,C)+45 SEC BLOWER DELAY	14	12.2	23000	17000	750	3/4	3/8	3/4	3/8	3/4	3/8	0.057	
	E*1P30(A,B,C)+TDR	14	12.2	23000	17000	850	3/4	3/8	3/4	3/8	3/4	3/8	0.057	
	EC4X23(A,B)+45 SEC BLOWER DELAY	14	12.2	23000	17000	850	3/4	3/8	3/4	3/8	3/4	3/8	0.057	
	EC4X30(A,B,C)+45 SEC BLOWER DELAY	14	12.2	23000	17000	850	3/4	3/8	3/4	3/8	3/4	3/8	0.057	
	ED1P30/36+H4TXV01+45 SEC BLOWER TIME DELAY	14	12.2	23000	17000	800	3/4	3/8	3/4	3/8	3/4	3/8	0.057	

Note:
 1 Certified in accordance with Unitary Air Conditioner Certification Program, which is based on AHRI Standard 210/240
 2 Required to achieve AHRI rating. If NA (Not Applicable) is in the piston column, then TXV is required.
 3 A blower time delay relay is required to achieve AHRI rating. This feature is standard on all Allied Air Enterprises furnace and AH products.

COOLING PERFORMANCE WITH EVAPORATOR COILS

Outdoor Model	Indoor Model	SEER	EER	AHRI Rated Capacity(1) BTUH	Rated Sensible BTUH	CFM	Refrigerant Connection				Refrigerant Line Set		Indoor Expansion Device	
							Outdoor		Indoor		Suction	Liquid	Piston(2)	TXV
	Suction						Liquid	Suction	Liquid					
	Evap. Coil(3)													
4SCU16LE130P-1	EC4X36(A,B,C)+45 SEC BLOWER DELAY	14.5	12.2	28000	21000	1000	3/4	3/8	3/4	3/8	3/4	3/8	0.065	A4TXV01
	EC4X43(B,C)+45 SEC BLOWER DELAY	14.5	12.2	28000	21000	1000	3/4	3/8	3/4	3/8	3/4	3/8	0.065	
	E*1P36(A,B,C)+TDR	14.25	12.2	28000	21000	1000	3/4	3/8	3/4	3/8	3/4	3/8	0.065	
4SCU16LE136P-1	E*1P43(B,C)+TDR	14.5	12.2	34000	25500	1200	7/8	3/8	7/8	3/8	7/8	3/8	0.071	A4TXV01
	EC4X43(B,C)+45 SEC BLOWER DELAY	14.5	12.2	34000	25500	1200	7/8	3/8	7/8	3/8	7/8	3/8	0.071	
	EC4X48C+TDR	14.5	12.2	34000	25500	1200	7/8	3/8	7/8	3/8	7/8	3/8	0.071	
	EC4X49C+TDR	14.5	12.2	34000	25500	1200	7/8	3/8	7/8	3/8	7/8	3/8	0.071	
	EC4X50C+45 SEC BLOWER DELAY	14.5	12.2	34000	25500	1200	7/8	3/8	7/8	3/8	7/8	3/8	0.071	
	E*1P36(B,C)+TDR	14.25	12.2	34000	25500	1200	7/8	3/8	7/8	3/8	7/8	3/8	0.071	
	EC4X36(B,C)+45 SEC BLOWER DELAY	14.25	12.2	34000	25500	1200	7/8	3/8	7/8	3/8	7/8	3/8	0.071	
4SCU16LE141P-1	BCE3M42V****4X	16	13	38000	28000	1350	7/8	3/8	7/8	3/8	7/8	3/8		N/A
	BCE3M48V****4X	16	13	38000	28000	1350	7/8	3/8	7/8	3/8	7/8	3/8		
	BCE4M48S*	16	13	38000	28000	1400	7/8	3/8	7/8	3/8	7/8	3/8		
	BCS2M42V00NA1P+A4TXV02	16	13	38000	28000	1400	7/8	3/8	7/8	3/8	7/8	3/8		
	BCS2M48V00NA1P+A4TXV02	16	13	38000	28000	1400	7/8	3/8	7/8	3/8	7/8	3/8		
	BCE3M48C****P+H4TXV02	14.5	12.2	36000	28000	1350	7/8	3/8	7/8	3/8	7/8	3/8		
	E(U,C,H)1P49C+A4TXV02+TD1	14.5	12.2	38000	28000	1400	7/8	3/8	7/8	3/8	7/8	3/8		
	E(U,C,H)1P62C+A4TXV02+TD1	14.5	12.2	38000	28000	1400	7/8	3/8	7/8	3/8	7/8	3/8		
	EC4X49C+TDR	14.5	12.2	38000	28000	1400	7/8	3/8	7/8	3/8	7/8	3/8		
	EC4X62C+TDR	14.5	12.2	38000	28000	1400	7/8	3/8	7/8	3/8	7/8	3/8		
	BCE3M42C****P+H4TXV02	14	12.2	36000	28000	1350	7/8	3/8	7/8	3/8	7/8	3/8		
	E*1P43(B,C)+H4TXV01+45 SEC BLOWER DELAY	14	12.2	37000	28000	1380	7/8	3/8	7/8	3/8	7/8	3/8		
4SCU16LE142P-1	EC4X49C+TDR	14.25	12.2	40000	30000	1400	7/8	3/8	7/8	3/8	7/8	3/8		N/A
	E*1P43(B,C)+TDR+H4TXV02	14	12.2	40000	30000	1400	7/8	3/8	7/8	3/8	7/8	3/8		
	E*1P49C+TDR+H4TXV02	14	12.2	40000	30000	1400	7/8	3/8	7/8	3/8	7/8	3/8		
	E*1P62C+TDR+H4TXV02	14	12.2	40000	30000	1400	7/8	3/8	7/8	3/8	7/8	3/8		
	EC4X43B,C+TDR	14	12.2	40000	30000	1400	7/8	3/8	7/8	3/8	7/8	3/8		
	EC4X62C+TDR	14	12.2	40000	30000	1400	7/8	3/8	7/8	3/8	7/8	3/8		
4SCU16LE147P-1	E(U,C,H)1P49C+A4TXV02+TD1	15.1	12.5	47000	35000	1600	7/8	3/8	7/8	3/8	7/8	3/8		N/A
	E(U,C,H)1P62C+A4TXV02+TD1	15.1	12.5	47000	35000	1600	7/8	3/8	7/8	3/8	7/8	3/8		
	E*1P62D+A4TXV02+TDR	15.1	12.5	47000	35000	1600	7/8	3/8	7/8	3/8	7/8	3/8		
	EC4X49C+TDR	15.1	12.5	47000	35000	1600	7/8	3/8	7/8	3/8	7/8	3/8		
	EC4X62C+TDR	15.1	12.5	47000	35000	1600	7/8	3/8	7/8	3/8	7/8	3/8		
	EC4X62D+TDR	15.1	12.5	47000	35000	1600	7/8	3/8	7/8	3/8	7/8	3/8		
	EC4X43C+TDR	14.5	12	47000	35000	1600	7/8	3/8	7/8	3/8	7/8	3/8		
4SCU16LE148P-1	E*1P62C+TDR+H4TXV02	14.25	12	46500	34500	1600	7/8	3/8	7/8	3/8	7/8	3/8		N/A
	EC4X62C+TDR	14.25	12	46500	34500	1600	7/8	3/8	7/8	3/8	7/8	3/8		
	E*1P49C+TDR+H4TXV02	14	12	46500	34500	1600	7/8	3/8	7/8	3/8	7/8	3/8		
	E*1P62D+TDR+H4TXV02	14	12	46500	34500	1600	7/8	3/8	7/8	3/8	7/8	3/8		
	EC4X49C+TDR	14	12	46500	34500	1600	7/8	3/8	7/8	3/8	7/8	3/8		
	EC4X62D+TDR	14	12	46500	34500	1600	7/8	3/8	7/8	3/8	7/8	3/8		

COOLING PERFORMANCE WITH EVAPORATOR COILS

Outdoor Model	Indoor Model	SEER	EER	AHRI Rated Capacity(1) BTUH	Rated Sensible BTUH	CFM	Refrigerant Connection				Refrigerant Line Set		Indoor Expansion Device			
	Evap. Coil(3)						Outdoor		Indoor		Suction	Liquid	Suction	Liquid	Piston(2)	TXV
							Suction	Liquid	Suction	Liquid						
4SCU16LE159P-1	EC4X49C+TDR	14.5	12.2	57000	41500	1800	1 1/8	3/8	7/8	3/8	1 1/8	3/8	N/A	A4TXV02		
	EC4X60D+TDR	14.5	12	57000	41500	1800	1 1/8	3/8	7/8	3/8	1 1/8	3/8				
	EC4X62C+TDR	14.5	12.2	57000	41500	1800	1 1/8	3/8	7/8	3/8	1 1/8	3/8				
	EC4X62D+TDR	14.5	12	57000	41500	1800	1 1/8	3/8	7/8	3/8	1 1/8	3/8				
	E(U,C,H)1P62C+A4TXV02+TD1	14.25	12.2	57000	41500	1800	1 1/8	3/8	7/8	3/8	1 1/8	3/8				
	E*1P62D+TDR+H4TXV03	14.25	12	57000	41500	1800	1 1/8	3/8	7/8	3/8	1 1/8	3/8				
	EDIP50/60+H4TXV02+45 SEC BLOWER TIME DELAY	14	11.7	55500	41500	1750	1 1/8	3/8	7/8	3/8	1 1/8	3/8				
	EDIP60+H4TXV02+45 SEC BLOWER TIME DELAY	14	11.7	55500	41500	1750	1 1/8	3/8	7/8	3/8	1 1/8	3/8				
4SCU16LE160P-1	E*1P62C+TDR+H4TXV03	14	12	58000	42000	1800	1 1/8	3/8	7/8	3/8	1 1/8	3/8	N/A	A4TXV02		
	E*1P62D+TDR+H4TXV03	14	11.7	57000	42000	1800	1 1/8	3/8	7/8	3/8	1 1/8	3/8				
	EC4X62C+TDR	14	12	58000	42000	1800	1 1/8	3/8	7/8	3/8	1 1/8	3/8				
	EC4X62D+TDR	14	11.7	57000	42000	1800	1 1/8	3/8	7/8	3/8	1 1/8	3/8				

COOLING PERFORMANCE WITH AIR HANDLERS AND FURNACES

Outdoor Model	Indoor Model	Variable Speed Furnace	SEER	EER	AHRI Rated Capacity BTUH	Sensible Capacity	CFM	
	Evap Coil							
4SCU16LE118P-1	BCE3M18C****P		14	12.2	18000		650	
	BCE3M18V****4X		14.5	12.2	18000		600	
	BCE3M24E****X		15.1	12.2	18000		650	
	BCE3M24V****4X		16	13	18000		650	
	BCE4M24S*		15.5	12.5	18000		650	
	BCE4M30S*		16	13	18000		650	
	E*1P23A	A80UH1E045A12		16	13	18000		650
	E*1P23A	A80US2V070A12		16	13	18000		650
	E*1P23B	A80UH1E070B12		15.1	13	18000		650
	E*1P23B	A80US2V090B12		16	13	18000		650
	E*1P23B	A80US2V090B16		16	13	18000		620
	E*1P23B	A95UH1E045B12		15.1	13	18000		650
	E*1P23B	A95UH1E070B12		15.1	13	18000		650
	E*1P23B	A95UH2E045B12		15.1	13	18000		620
	E*1P23B	A95UH2E070B12		15.1	13	18000		650
	E*1P23B	A96UH2E030B08S		15.1	13	18000		650
	E*1P23B	A96UH2E045B12		15.1	13	18000		620
	E*1P23B	A96US2V045B12		16	13	18000		650
	E*1P23B	A96US2V070B12		16	13	18000		650
	E*1P23B	A97USMV070B12		16	13	18000		650
	E*1P23B	EFV08BC		16	13	18000		650
	E*1P23B+A4TXV01	A95UH1E030B08S		15.1	12.5	18000		600
	E*1P23B+A4TXV01	A95UH1E045B12		16	13	18000		635
	E*1P23B+A4TXV01	A96UH2E045B12		16	13	18000		635
	E*1P24A	A80UH1E045A12		15.1	13	18000		650
	E*1P24A	A80US2V070A12		16	13	18000		650
	E*1P24B	A80UH1E070B12		15.1	13	18000		620
	E*1P24B	A80US2V090B12		16	13	18000		650
	E*1P24B	A80US2V090B16		16	13	18000		620
	E*1P24B	A95UH1E045B12		15.1	13	18000		620
	E*1P24B	A95UH1E070B12		14.5	12.2	18000		650
	E*1P24B	A95UH2E045B12		15.1	13	18000		620
	E*1P24B	A95UH2E070B12		14.5	12.2	18000		650
	E*1P24B	A96UH2E030B08S		15.1	13	18000		650
	E*1P24B	A96US2V045B12		15.1	13	18000		650
	E*1P24B	A96US2V070B12		16	13	18000		650
	E*1P24B	A97USMV070B12		16	13	18000		650
	E*1P24B	EFV08BC		15.1	13	18000		650
	E*1P24B+A4TXV01	A95UH1E030B08S		15.1	12.5	18000		600
	E*1P24B+A4TXV01	A95UH1E045B12		15.1	12.5	18000		635
	E*1P24B+A4TXV01	A96UH2E045B12		15.1	12.5	18000		635
	E*1P29A	A80UH1E045A12		16	13	18000		650

Note:

1 Certified in accordance with Unitary Air Conditioner Certification Program, which is based on AHRI Standard 210/240

2 Required to achieve AHRI rating. If NA (Not Applicable) is in the piston column, then TXV is required.

3 A blower time delay relay is required to achieve AHRI rating. This feature is standard on all Allied Air Enterprises furnace and AH products.

COOLING PERFORMANCE WITH AIR HANDLERS AND FURNACES

Outdoor Model	Indoor Model	Variable Speed Furnace	SEER	EER	AHRI Rated Capacity BTUH	Sensible Capacity	CFM
	Evap Coil						
4SCU16LE118P-1	E*1P29A	A80US2V070A12	16	13	18000		650
	E*1P29B	A80UH1E070B12	15.1	13	18000		620
	E*1P29B	A80US2V090B12	16	13	18000		650
	E*1P29B	A80US2V090B16	16	13	18000		620
	E*1P29B	A95UH1E045B12	15.1	13	18000		620
	E*1P29B	A95UH1E070B12	15.1	13	18000		650
	E*1P29B	A95UH2E045B12	15.1	13	18000		620
	E*1P29B	A95UH2E070B12	15.1	13	18000		650
	E*1P29B	A96UH2E030B08S	15.1	13	18000		650
	E*1P29B	A96US2V045B12	16	13	18000		650
	E*1P29B	A96US2V070B12	16	13	18000		650
	E*1P29B	A97USMV070B12	16	13	18000		650
	E*1P29B	EFV08BC	15.1	13	18000		650
	E*1P29B+A4TXV01	A95UH1E030B08S	15.1	12.5	18000		600
	E*1P29B+A4TXV01	A95UH1E045B12	16	13	18000		635
	E*1P29B+A4TXV01	A96UH2E045B12	16	13	18000		635
	E*1P30A	A80UH1E045A12	16	13	18000		650
	E*1P30A	A80US2V070A12	16	13	18000		650
	E*1P30B	A80UH1E070B12	15.1	13	18000		620
	E*1P30B	A80US2V090B12	16	13	18000		650
	E*1P30B	A80US2V090B16	16	13	18000		620
	E*1P30B	A95UH1E045B12	15.1	13	18000		620
	E*1P30B	A95UH1E070B12	15.1	13	18000		650
	E*1P30B	A95UH2E045B12	15.1	13	18000		620
	E*1P30B	A95UH2E070B12	15.1	13	18000		650
	E*1P30B	A96UH2E030B08S	15.1	13	18000		650
	E*1P30B	A96US2V045B12	16	13	18000		650
	E*1P30B	A96US2V070B12	16	13	18000		650
	E*1P30B	A97USMV070B12	16	13	18000		650
	E*1P30B	EFV08BC	15.1	13	18000		650
	E*1P30C	A96US2V090C12	16	13	18000		650
	E*1P30C	A97USMV090C12	16	13	18000		620
	E*1P30C	A97USMV090C16	16	13	18000		650
	E*1P36A	A80UH1E045A12	16	13	18000		650
	E*1P36A	A80US2V070A12	16	13	18000		650
	E*1P36B	A80UH1E070B12	15.1	13	18000		620
	E*1P36B	A80US2V090B12	16	13	18000		650
	E*1P36B	A80US2V090B16	16	13	18000		620
	E*1P36B	A95UH1E045B12	15.1	13	18000		620
	E*1P36B	A95UH1E070B12	15.1	13	18000		650
E*1P36B	A95UH2E045B12	15.1	13	18000		620	
E*1P36B	A95UH2E070B12	15.1	13	18000		650	
E*1P36B	A96UH2E030B08S	15.1	13	18000		650	

Note:

1 Certified in accordance with Unitary Air Conditioner Certification Program, which is based on AHRI Standard 210/240

2 Required to achieve AHRI rating. If NA (Not Applicable) is in the piston column, then TXV is required.

3 A blower time delay relay is required to achieve AHRI rating. This feature is standard on all Allied Air Enterprises furnace and AH products.

COOLING PERFORMANCE WITH AIR HANDLERS AND FURNACES

Outdoor Model	Indoor Model	Variable Speed Furnace	SEER	EER	AHRI Rated Capacity BTUH	Sensible Capacity	CFM
	Evap Coil						
4SCU16LE118P-1	E*1P36B	A96US2V045B12	16	13	18000		650
	E*1P36B	A96US2V070B12	16	13	18000		650
	E*1P36B	A97USMV070B12	16	13	18000		650
	E*1P36B	EFV08BC	15.1	13	18000		650
	E*1P36C	A96US2V090C12	16	13	18000		650
	E*1P36C	A97USMV090C12	16	13	18000		620
	E*1P36C	A97USMV090C16	16	13	18000		650
	EC4X23B	A95UH1E030B08S	15.1	12.5	18000		600
	EC4X23B	A95UH1E045B12	16	13	18000		635
	EC4X23B	A96UH2E045B12	16	13	18000		635
	EC4X24B	A95UH1E030B08S	15.1	12.5	18000		600
	EC4X24B	A95UH1E045B12	15.1	12.5	18000		635
	EC4X24B	A96UH2E045B12	15.1	12.5	18000		635
	EC4X29B	A95UH1E030B08S	15.1	12.5	18000		600
	EC4X29B	A95UH1E045B12	16	13	18000		635
	EC4X29B	A96UH2E045B12	16	13	18000		635
	ED1P18A+H4TXV01	A80DF1E045A12	14	12.2	18000		625
	ED1P24A+H4TXV01	A80DF1E045A12	14	12.2	18000		625
	ED1P24B+H4TXV01	A80DF1E070B12	14	12.2	18000		645
	ED1P30/36A+H4TXV01	A80DF1E045A12	15	12.2	18000		625
	ED1P30/36B+H4TXV01	A80DF1E070B12	14	12.2	18000		645
4SCU16LE124P-1	BCE3M24C****P		14	12.2	23000		850
	BCE3M24E****X		15.1	12.5	23000		850
	BCE3M24V****4X		16	13	23000		820
	BCE3M30E****X		16	13	23000		850
	BCE3M30V****4X		16	13	23000		800
	BCE3M36E****X		16	13	23000		850
	BCE3M36V****4X		16	13	23000		800
	BCE4M24S*		15.1	12.5	23000		850
	BCE4M30S*		16	13	23000		850
	E*1P23A	A80UH1E045A12	16	13	23000		860
	E*1P23A	A80US2V070A12	16	13	23000		850
	E*1P23B	A80UH1E070B12	16	13	23000		825
	E*1P23B	A80US2V090B12	16	13	23000		800
	E*1P23B	A80US2V090B16	16	13	23000		795
	E*1P23B	A95UH1E045B12	15.1	13	23000		760
	E*1P23B	A95UH1E070B12	16	13	23000		795
	E*1P23B	A95UH2E070B12	16	13	23000		795
	E*1P23B	A96UH2E030B08S	15.1	13	23000		850
	E*1P23B	A96UH2E045B12	15	12.2	23000		785
	E*1P23B	A96UH2E070B12	16	13	23000		795
E*1P23B	A96US2V045B12	16	13	23000		860	
E*1P23B	A96US2V070B12	16	13	23000		840	

Note:

1 Certified in accordance with Unitary Air Conditioner Certification Program, which is based on AHRI Standard 210/240

2 Required to achieve AHRI rating. If NA (Not Applicable) is in the piston column, then TXV is required.

3 A blower time delay relay is required to achieve AHRI rating. This feature is standard on all Allied Air Enterprises furnace and AH products.

COOLING PERFORMANCE WITH AIR HANDLERS AND FURNACES

Outdoor Model	Indoor Model	Variable Speed Furnace	SEER	EER	AHRI Rated Capacity BTUH	Sensible Capacity	CFM
	Evap Coil						
4SCU16LE124P-1	E*1P23B	A97USMV070B12	16	13	23000		805
	E*1P23B	EFV08BC	16	13	23000		850
	E*1P23B+A4TXV01	A95UH1E045B12	16	13	23000		785
	E*1P23B+A4TXV01	A95UH1E070B12	16	13	23000		835
	E*1P23B+A4TXV01	A96UH2E045B12	16	13	23000		785
	E*1P23B+A4TXV01	A96UH2E070B12	16	13	23000		835
	E*1P23B+H4TXV01	A95UH1E030B08	15	12.5	23000		850
	E*1P24A	A80UH1E045A12	15.1	13	23000		860
	E*1P24A	A80US2V070A12	16	13	23000		850
	E*1P24B	A80UH1E070B12	16	13	23000		825
	E*1P24B	A80US2V090B12	16	13	23000		800
	E*1P24B	A80US2V090B16	15.1	13	23000		795
	E*1P24B	A95UH1E045B12	15.1	13	23000		760
	E*1P24B	A95UH1E070B12	15.1	13	23000		795
	E*1P24B	A95UH2E070B12	15.1	13	23000		795
	E*1P24B	A96UH2E030B08S	15.1	13	23000		850
	E*1P24B	A96US2V045B12	15.1	13	23000		860
	E*1P24B	A96US2V070B12	15.1	13	23000		840
	E*1P24B	A97USMV070B12	15.1	13	23000		805
	E*1P24B	EFV08BC	15.1	13	23000		850
	E*1P24B+A4TXV01	A95UH1E045B12	15.1	12.5	23000		735
	E*1P24B+A4TXV01	A95UH1E070B12	15.5	12.5	23000		795
	E*1P24B+A4TXV01	A96UH2E070B12	15.5	12.5	23000		795
	E*1P29A	A80UH1E045A12	16	13	23000		860
	E*1P29A	A80US2V070A12	16	13	23000		850
	E*1P29B	A80UH1E070B12	16	13	23000		825
	E*1P29B	A80US2V090B12	16	13	23000		800
	E*1P29B	A80US2V090B16	16	13	23000		795
	E*1P29B	A95UH1E045B12	15.1	13	23000		760
	E*1P29B	A95UH1E070B12	16	13	23000		795
	E*1P29B	A95UH2E070B12	16	13	23000		795
	E*1P29B	A96UH2E030B08S	15.1	13	23000		850
	E*1P29B	A96US2V045B12	16	13	23000		860
	E*1P29B	A96US2V070B12	16	13	23000		840
	E*1P29B	A97USMV070B12	16	13	23000		805
	E*1P29B	EFV08BC	16	13	23000		850
	E*1P29B+A4TXV01	A95UH1E045B12	16	13	23000		785
	E*1P29B+A4TXV01	A95UH1E070B12	16	13	23000		835
	E*1P29B+A4TXV01	A96UH2E045B12	16	13	23000		785
	E*1P29B+A4TXV01	A96UH2E070B12	16	13	23000		835
	E*1P29B+H4TXV01	A95UH1E030B08	15	12.5	23000		850
	E*1P30A	A80UH1E045A12	15.1	13	23000		860
	E*1P30A	A80US2V070A12	16	13	23000		850

Note:

1 Certified in accordance with Unitary Air Conditioner Certification Program, which is based on AHRI Standard 210/240

2 Required to achieve AHRI rating. If NA (Not Applicable) is in the piston column, then TXV is required.

3 A blower time delay relay is required to achieve AHRI rating. This feature is standard on all Allied Air Enterprises furnace and AH products.

COOLING PERFORMANCE WITH AIR HANDLERS AND FURNACES

Outdoor Model	Indoor Model	Variable Speed Furnace	SEER	EER	AHRI Rated Capacity BTUH	Sensible Capacity	CFM
	Evap Coil						
4SCU16LE124P-1	E*1P30B	A80UH1E070B12	16	13	23000		825
	E*1P30B	A80US2V090B12	16	13	23000		800
	E*1P30B	A80US2V090B16	16	13	23000		795
	E*1P30B	A95UH1E045B12	15.1	13	23000		760
	E*1P30B	A95UH1E070B12	15.1	13	23000		795
	E*1P30B	A95UH2E070B12	15.1	13	23000		795
	E*1P30B	A96UH2E030B08S	15.1	13	23000		850
	E*1P30B	A96US2V045B12	16	13	23000		860
	E*1P30B	A96US2V070B12	16	13	23000		840
	E*1P30B	A97USMV070B12	16	13	23000		805
	E*1P30B	EFV08BC	15.1	13	23000		850
	E*1P30B+A4TXV01	A95UH1E045B12	15.5	12.5	23000		785
	E*1P30C	A96US2V090C12	16	13	23000		840
	E*1P30C	A97USMV090C12	16	13	23000		840
	E*1P30C	A97USMV090C16	16	13	23000		860
	E*1P36A	A80UH1E045A12	16	13	23000		860
	E*1P36A	A80US2V070A12	16	13	23000		850
	E*1P36B	A80UH1E070B12	16	13	23000		825
	E*1P36B	A80US2V090B12	16	13	23000		820
	E*1P36B	A80US2V090B16	16	13	23000		795
	E*1P36B	A95UH1E045B12	16	13	23000		760
	E*1P36B	A95UH1E070B12	16	13	23000		795
	E*1P36B	A95UH2E045B12	14.5	12.2	23000		860
	E*1P36B	A95UH2E070B12	16	13	23000		795
	E*1P36B	A96UH2E030B08S	16	13	23000		850
	E*1P36B	A96US2V045B12	16	13	23000		860
	E*1P36B	A96US2V070B12	16	13	23000		840
	E*1P36B	A97USMV070B12	16	13	23000		805
	E*1P36B	EFV08BC	16	13	23000		850
	E*1P36B+A4TXV01	A95UH1E045B12	16	13	23000		785
	E*1P36B+A4TXV01	A95UH1E070B12	16	13	23000		835
	E*1P36B+A4TXV01	A96UH2E045B12	16	13	23000		785
	E*1P36B+A4TXV01	A96UH2E070B12	16	13	23000		835
	E*1P36C	A96US2V090C12	16	13	23000		840
	E*1P36C	A97USMV090C12	16	13	23000		840
	E*1P36C	A97USMV090C16	16	13	23000		860
	EC4X23A	A80UH1E045A12	16	13	23000		860
	EC4X23A	A80US2V070A12	16	13	23000		850
	EC4X23B	A80UH1E070B12	16	13	23000		825
	EC4X23B	A80US2V090B12	16	13	23000		800
EC4X23B	A80US2V090B16	16	13	23000		795	
EC4X23B	A95UH1E030B08	15	12.5	23000		850	
EC4X23B	A95UH1E045B12	16	13	23000		785	

Note:

1 Certified in accordance with Unitary Air Conditioner Certification Program, which is based on AHRI Standard 210/240

2 Required to achieve AHRI rating. If NA (Not Applicable) is in the piston column, then TXV is required.

3 A blower time delay relay is required to achieve AHRI rating. This feature is standard on all Allied Air Enterprises furnace and AH products.

COOLING PERFORMANCE WITH AIR HANDLERS AND FURNACES

Outdoor Model	Indoor Model	Variable Speed Furnace	SEER	EER	AHRI Rated Capacity BTUH	Sensible Capacity	CFM
	Evap Coil						
4SCU16LE124P-1	EC4X23B	A95UH1E070B12	16	13	23000		835
	EC4X23B	A95UH2E070B12	16	13	23000		795
	EC4X23B	A96UH2E030B08S	15.1	13	23000		850
	EC4X23B	A96UH2E045B12	16	13	23000		785
	EC4X23B	A96UH2E070B12	16	13	23000		835
	EC4X23B	A96US2V045B12	16	13	23000		860
	EC4X23B	A96US2V070B12	16	13	23000		840
	EC4X23B	A97USMV070B12	16	13	23000		805
	EC4X23B	EFV08BC	16	13	23000		850
	EC4X24A	A80UH1E045A12	15.1	13	23000		860
	EC4X24A	A80US2V070A12	16	13	23000		850
	EC4X24B	A80UH1E070B12	16	13	23000		825
	EC4X24B	A80US2V090B12	16	13	23000		800
	EC4X24B	A80US2V090B16	15.1	13	23000		795
	EC4X24B	A95UH1E045B12	15.1	12.5	23000		735
	EC4X24B	A95UH1E070B12	15.5	12.5	23000		795
	EC4X24B	A95UH2E070B12	15.1	13	23000		795
	EC4X24B	A96UH2E030B08S	15.1	13	23000		850
	EC4X24B	A96UH2E070B12	15.5	12.5	23000		795
	EC4X24B	A96US2V045B12	15.1	13	23000		860
	EC4X24B	A96US2V070B12	15.1	13	23000		840
	EC4X24B	A97USMV070B12	15.1	13	23000		805
	EC4X24B	EFV08BC	15.1	13	23000		850
	EC4X29A	A80UH1E045A12	16	13	23000		860
	EC4X29A	A80US2V070A12	16	13	23000		850
	EC4X29B	A80UH1E070B12	16	13	23000		825
	EC4X29B	A80US2V090B12	16	13	23000		800
	EC4X29B	A80US2V090B16	16	13	23000		795
	EC4X29B	A95UH1E030B08	15	12.5	23000		850
	EC4X29B	A95UH1E045B12	16	13	23000		785
	EC4X29B	A95UH1E070B12	16	13	23000		835
	EC4X29B	A95UH2E070B12	16	13	23000		795
	EC4X29B	A96UH2E030B08S	15.1	13	23000		850
	EC4X29B	A96UH2E045B12	16	13	23000		785
	EC4X29B	A96UH2E070B12	16	13	23000		835
	EC4X29B	A96US2V045B12	16	13	23000		860
	EC4X29B	A96US2V070B12	16	13	23000		840
	EC4X29B	A97USMV070B12	16	13	23000		805
	EC4X29B	EFV08BC	16	13	23000		850
	EC4X30A	A80UH1E045A12	15.1	13	23000		860
EC4X30A	A80US2V070A12	16	13	23000		850	
EC4X30B	A80UH1E070B12	16	13	23000		825	
EC4X30B	A80US2V090B12	16	13	23000		800	

Note:

1 Certified in accordance with Unitary Air Conditioner Certification Program, which is based on AHRI Standard 210/240

2 Required to achieve AHRI rating. If NA (Not Applicable) is in the piston column, then TXV is required.

3 A blower time delay relay is required to achieve AHRI rating. This feature is standard on all Allied Air Enterprises furnace and AH products.

COOLING PERFORMANCE WITH AIR HANDLERS AND FURNACES

Outdoor Model	Indoor Model	Variable Speed Furnace	SEER	EER	AHRI Rated Capacity BTUH	Sensible Capacity	CFM
	Evap Coil						
4SCU16LE124P-1	EC4X30B	A80US2V090B16	16	13	23000		795
	EC4X30B	A95UH1E045B12	15.5	12.5	23000		785
	EC4X30B	A95UH1E070B12	15.1	13	23000		795
	EC4X30B	A95UH2E070B12	15.1	13	23000		795
	EC4X30B	A96UH2E030B08S	15.1	13	23000		850
	EC4X30B	A96US2V045B12	16	13	23000		860
	EC4X30B	A96US2V070B12	16	13	23000		840
	EC4X30B	A97USMV070B12	16	13	23000		805
	EC4X30B	EFV08BC	15.1	13	23000		850
	EC4X30C	A96US2V090C12	16	13	23000		840
	EC4X30C	A97USMV090C12	16	13	23000		840
	EC4X30C	A97USMV090C16	16	13	23000		860
	EC4X36A	A80UH1E045A12	16	13	23000		860
	EC4X36A	A80US2V070A12	16	13	23000		850
	EC4X36B	A80UH1E070B12	16	13	23000		825
	EC4X36B	A80US2V090B12	16	13	23000		820
	EC4X36B	A80US2V090B16	16	13	23000		795
	EC4X36B	A95UH1E045B12	16	13	23000		785
	EC4X36B	A95UH1E070B12	16	13	23000		835
	EC4X36B	A95UH2E045B12	14.5	12.2	23000		860
	EC4X36B	A95UH2E070B12	16	13	23000		795
	EC4X36B	A96UH2E030B08S	16	13	23000		850
	EC4X36B	A96UH2E045B12	16	13	23000		785
	EC4X36B	A96UH2E070B12	16	13	23000		835
	EC4X36B	A96US2V045B12	16	13	23000		860
	EC4X36B	A96US2V070B12	16	13	23000		840
	EC4X36B	A97USMV070B12	16	13	23000		805
	EC4X36B	EFV08BC	16	13	23000		850
	EC4X36C	A96US2V090C12	16	13	23000		840
	EC4X36C	A97USMV090C12	16	13	23000		840
	EC4X36C	A97USMV090C16	16	13	23000		860
	ED1P24A+H4TXV01	A80DF1E045A12	15	12.5	23000		835
	ED1P24A+H4TXV01	A80DS2V070A12	15	12.5	23000		800
	ED1P24B+H4TXV01	A80DF1E070B12	15	12.5	23000		755
	ED1P24B+H4TXV01	A95DF1E045B12	15	12.5	22000		730
	ED1P24B+H4TXV01	A95DF1E070B16	15	12.5	22000		740
	ED1P24B+H4TXV01	A96DF2E045B12	15	12.5	22000		730
	ED1P24B+H4TXV01	A96DF2E070B16	15	12.5	22000		740
	ED1P24B+H4TXV01	A96DS2V045B12	15	12.5	23000		805
	ED1P24B+H4TXV01	A96DS2V070B16	15	12.5	23000		860
	ED1P24B+H4TXV01	A97DSMV070B12	15	12.5	23000		845
	ED1P30/36A+H4TXV01	A80DF1E045A12	15	12.5	24000		835
ED1P30/36A+H4TXV01	A80DS2V070A12	15	12.5	24000		800	

Note:

1 Certified in accordance with Unitary Air Conditioner Certification Program, which is based on AHRI Standard 210/240

2 Required to achieve AHRI rating. If NA (Not Applicable) is in the piston column, then TXV is required.

3 A blower time delay relay is required to achieve AHRI rating. This feature is standard on all Allied Air Enterprises furnace and AH products.

COOLING PERFORMANCE WITH AIR HANDLERS AND FURNACES

Outdoor Model	Indoor Model	Variable Speed Furnace	SEER	EER	AHRI Rated Capacity BTUH	Sensible Capacity	CFM
	Evap Coil						
4SCU16LE124P-1	ED1P30/36B+H4TXV01	A80DF1E070B12	15	12.5	24000		790
	ED1P30/36B+H4TXV01	A80DS2V090B16	15	12.5	24000		895
	ED1P30/36B+H4TXV01	A95DF1E045B12	15	12.5	24000		735
	ED1P30/36B+H4TXV01	A95DF1E070B16	15	12.5	24000		775
	ED1P30/36B+H4TXV01	A96DF2E045B12	15	12.5	24000		735
	ED1P30/36B+H4TXV01	A96DF2E070B16	15	12.5	24000		775
	ED1P30/36B+H4TXV01	A96DS2V045B12	15	12.5	24000		805
	ED1P30/36B+H4TXV01	A96DS2V070B16	15	12.5	24000		880
	ED1P30/36B+H4TXV01	A97DSMV070B12	15	12.5	24000		845
4SCU16LE130P-1	BCE3M30C****P		14	12.2	28000		1000
	BCE3M30E****X		15.1	13	28000		1000
	BCE3M30V****4X		15	12.5	28000		1000
	BCE3M36E****X		15.5	13	28000		1000
	BCE4M30S*		15.1	13	28000		1000
	BCE4M36S*		15.1	13	28000		1000
	E*1P29A	A80UH1E045A12	15.1	13	28000		1010
	E*1P29A	A80US2V070A12	15.1	13	28000		1005
	E*1P29B	A80UH1E070B12	15.1	13	28000		1015
	E*1P29B	A80UH1E090B16	15.1	13	28000		1010
	E*1P29B	A80US2V090B12	16	13	28000		1000
	E*1P29B	A80US2V090B16	15.1	13	28000		1030
	E*1P29B	A95UH1E045B12	15.1	13	28000		1015
	E*1P29B	A95UH1E070B12	15.1	13	28000		995
	E*1P29B	A95UH2E045B12	15.1	13	28000		1015
	E*1P29B	A95UH2E070B12	15.1	13	28000		995
	E*1P29B	A96UH2E045B12	15.1	13	28000		1015
	E*1P29B	A96UH2E070B12	15.1	13	28000		995
	E*1P29B	A96US2V045B12	15.1	13	28000		985
	E*1P29B	A96US2V070B12	15.1	13	28000		960
	E*1P29B	A97USMV070B12	15.1	13	28000		1050
	E*1P29B	EFV12BC	14.5	12.2	28000		1000
	E*1P29B+A4TXV01	A95UH1E045B12	15.5	12.5	28000		1015
	E*1P29B+A4TXV01	A95UH1E070B12	15.1	12.5	28000		995
	E*1P29B+A4TXV01	A96UH2E045B12	15.5	12.5	28000		1015
	E*1P29B+A4TXV01	A96UH2E070B12	15.1	12.5	28000		995
	E*1P30A	A80UH1E045A12	14.5	12.2	28000		1000
	E*1P30A	A80US2V070A12	15.1	13	28000		1000
	E*1P30B	A80UH1E070B12	15.1	13	28000		1015
	E*1P30B	A80UH1E090B16	15.1	13	28000		1010
	E*1P30B	A80US2V090B12	15.1	13	28000		1000
	E*1P30B	A80US2V090B16	15.1	13	28000		1030
	E*1P30B	A95UH1E045B12	15.1	13	28000		1015
E*1P30B	A95UH1E070B12	15.1	13	28000		1000	

Note:

1 Certified in accordance with Unitary Air Conditioner Certification Program, which is based on AHRI Standard 210/240

2 Required to achieve AHRI rating. If NA (Not Applicable) is in the piston column, then TXV is required.

3 A blower time delay relay is required to achieve AHRI rating. This feature is standard on all Allied Air Enterprises furnace and AH products.

COOLING PERFORMANCE WITH AIR HANDLERS AND FURNACES

Outdoor Model	Indoor Model	Variable Speed Furnace	SEER	EER	AHRI Rated Capacity BTUH	Sensible Capacity	CFM
	Evap Coil						
4SCU16LE130P-1	E*1P30B	A95UH2E045B12	15.1	13	28000		1015
	E*1P30B	A95UH2E070B12	15.1	13	28000		1000
	E*1P30B	A96US2V045B12	15.1	13	28000		985
	E*1P30B	A96US2V070B12	15.1	13	28000		960
	E*1P30B	A97USMV070B12	15.1	13	28000		1050
	E*1P30B	EFV12BC	14.5	12.2	27800		1000
	E*1P30B+A4TXV01	A95UH1E045B12	15.1	12.5	28000		1015
	E*1P30B+A4TXV01	A95UH1E070B12	15.1	12.5	28000		1045
	E*1P30B+A4TXV01	A96UH2E045B12	15.1	12.5	28000		1015
	E*1P30B+A4TXV01	A96UH2E070B12	15.1	12.5	28000		1045
	E*1P30C	A95UH1E090C16	15.1	13	28000		1005
	E*1P30C	A95UH2E090C16	15.1	13	28000		1000
	E*1P30C	A96US2V090C12	15.1	13	28000		1015
	E*1P30C	A96US2V090C16	16	13	28000		955
	E*1P30C	A97USMV090C12	15.1	13	28000		1040
	E*1P30C	A97USMV090C16	15.1	13	28000		1040
	E*1P30C+A4TXV01	A95UH1E090C16	15.1	12.5	28000		1005
	E*1P30C+A4TXV01	A96UH2E090C16	15.1	12.5	28000		1005
	E*1P36A	A80UH1E045A12	15.1	13	28000		1010
	E*1P36A	A80US2V070A12	15.1	13	28000		1005
	E*1P36B	A80UH1E070B12	16	13	28000		1015
	E*1P36B	A80UH1E090B16	16	13	28000		1010
	E*1P36B	A80US2V090B12	16	13	28000		1000
	E*1P36B	A80US2V090B16	15.1	13	28000		1030
	E*1P36B	A95UH1E045B12	15.1	13	28000		1015
	E*1P36B	A95UH1E070B12	15.1	13	28000		995
	E*1P36B	A95UH2E045B12	15.1	13	28000		1015
	E*1P36B	A95UH2E070B12	15.1	13	28000		995
	E*1P36B	A96US2V045B12	15.1	13	28000		985
	E*1P36B	A96US2V070B12	16	13	28000		960
	E*1P36B	A97USMV070B12	16	13	28000		1050
	E*1P36B	EFV12BC	14.5	12.2	28000		1000
	E*1P36B+A4TXV01	A95UH1E045B12	15.5	12.5	28000		1015
	E*1P36B+A4TXV01	A95UH1E070B12	15.5	12.5	28000		1045
	E*1P36B+A4TXV01	A96UH2E045B12	15.5	12.5	28000		1015
	E*1P36B+A4TXV01	A96UH2E070B12	15.5	12.5	28000		1045
	E*1P36C	A95UH1E090C16	15.1	13	28000		950
	E*1P36C	A95UH2E090C16	16	13	28000		1000
	E*1P36C	A96UH2E090C16S	16	13	28000		1000
	E*1P36C	A96US2V090C12	16	13	28000		1015
	E*1P36C	A96US2V090C16	16	13	28000		955
	E*1P36C	A97USMV090C12	15.1	13	28000		1040
	E*1P36C	A97USMV090C16	15.1	13	28000		1040

Note:

1 Certified in accordance with Unitary Air Conditioner Certification Program, which is based on AHRI Standard 210/240

2 Required to achieve AHRI rating. If NA (Not Applicable) is in the piston column, then TXV is required.

3 A blower time delay relay is required to achieve AHRI rating. This feature is standard on all Allied Air Enterprises furnace and AH products.

COOLING PERFORMANCE WITH AIR HANDLERS AND FURNACES

Outdoor Model	Indoor Model	Variable Speed Furnace	SEER	EER	AHRI Rated Capacity BTUH	Sensible Capacity	CFM
	Evap Coil						
4SCU16LE130P-1	E*1P43C+A4TXV01	A95UH1E090C16	16	13	28000		945
	E*1P43C+A4TXV01	A96UH2E090C16	16	13	28000		945
	E*1P48B	A80UH1E070B12	15.1	13	28000		1015
	E*1P48B	A80UH1E090B16	15.1	13	28000		1010
	E*1P48B	A80US2V090B12	16	13	28000		1000
	E*1P48B	A80US2V090B16	15.1	13	28000		1030
	E*1P48B	A95UH1E045B12	15.1	13	28000		1015
	E*1P48B	A95UH1E070B12	15.1	13	28000		995
	E*1P48B	A95UH2E045B12	15.1	13	28000		1015
	E*1P48B	A95UH2E070B12	15.1	13	28000		995
	E*1P48B	A96US2V045B12	15.1	13	28000		985
	E*1P48B	A96US2V070B12	15.1	13	28000		960
	E*1P48B	A97USMV070B12	15.1	13	28000		1050
	E*1P48B	EFV12BC	14.5	12.2	28000		1000
	E*1P48C	A95UH1E090C16	15.1	13	28000		1005
	E*1P48C	A95UH2E090C16	15.1	13	28000		1000
	E*1P48C	A96US2V090C12	15.1	13	28000		1015
	E*1P48C	A96US2V090C16	16	13	28000		955
	E*1P48C	A97USMV090C12	15.1	13	28000		1040
	E*1P48C	A97USMV090C16	15.1	13	28000		1040
	EC4X29A	A80UH1E045A12	15.1	13	28000		1010
	EC4X29A	A80US2V070A12	15.1	13	28000		1005
	EC4X29B	A80UH1E070B12	15.1	13	28000		1015
	EC4X29B	A80UH1E090B16	15.1	13	28000		1010
	EC4X29B	A80US2V090B12	16	13	28000		1000
	EC4X29B	A80US2V090B16	15.1	13	28000		1030
	EC4X29B	A95UH1E045B12	15.5	12.5	28000		1015
	EC4X29B	A95UH1E070B12	15.1	12.5	28000		995
	EC4X29B	A95UH2E045B12	15.1	13	28000		1015
	EC4X29B	A95UH2E070B12	15.1	13	28000		995
	EC4X29B	A96UH2E045B12	15.5	12.5	28000		1015
	EC4X29B	A96UH2E070B12	15.1	12.5	28000		995
	EC4X29B	A96US2V045B12	15.1	13	28000		985
	EC4X29B	A96US2V070B12	15.1	13	28000		960
	EC4X29B	A97USMV070B12	15.1	13	28000		1050
	EC4X29B	EFV12BC	14.5	12.2	28000		1000
	EC4X30A	A80UH1E045A12	14.5	12.2	28000		1000
	EC4X30A	A80US2V070A12	15.1	13	28000		1000
	EC4X30B	A80UH1E070B12	15.1	13	28000		1015
	EC4X30B	A80UH1E090B16	15.1	13	28000		1010
	EC4X30B	A80US2V090B12	15.1	13	28000		1000
	EC4X30B	A80US2V090B16	15.1	13	28000		1030
	EC4X30B	A95UH1E045B12	15.1	12.5	28000		1015

Note:

1 Certified in accordance with Unitary Air Conditioner Certification Program, which is based on AHRI Standard 210/240

2 Required to achieve AHRI rating. If NA (Not Applicable) is in the piston column, then TXV is required.

3 A blower time delay relay is required to achieve AHRI rating. This feature is standard on all Allied Air Enterprises furnace and AH products.

COOLING PERFORMANCE WITH AIR HANDLERS AND FURNACES

Outdoor Model	Indoor Model	Variable Speed Furnace	SEER	EER	AHRI Rated Capacity BTUH	Sensible Capacity	CFM
	Evap Coil						
4SCU16LE130P-1	EC4X30B	A95UH1E070B12	15.1	12.5	28000		1045
	EC4X30B	A95UH2E045B12	15.1	13	28000		1015
	EC4X30B	A95UH2E070B12	15.1	13	28000		1000
	EC4X30B	A96UH2E045B12	15.1	12.5	28000		1015
	EC4X30B	A96UH2E070B12	15.1	12.5	28000		1045
	EC4X30B	A96US2V045B12	15.1	13	28000		985
	EC4X30B	A96US2V070B12	15.1	13	28000		960
	EC4X30B	A97USMV070B12	15.1	13	28000		1050
	EC4X30B	EFV12BC	14.5	12.2	27800		1000
	EC4X30C	A95UH1E090C16	15.1	12.5	28000		1005
	EC4X30C	A95UH2E090C16	15.1	13	28000		1000
	EC4X30C	A96UH2E090C16	15.1	12.5	28000		1005
	EC4X30C	A96US2V090C12	15.1	13	28000		1015
	EC4X30C	A96US2V090C16	16	13	28000		955
	EC4X30C	A97USMV090C12	15.1	13	28000		1040
	EC4X30C	A97USMV090C16	15.1	13	28000		1040
	EC4X36A	A80UH1E045A12	15.1	13	28000		1010
	EC4X36A	A80US2V070A12	15.1	13	28000		1005
	EC4X36B	A80UH1E070B12	16	13	28000		1015
	EC4X36B	A80UH1E090B16	16	13	28000		1010
	EC4X36B	A80US2V090B12	16	13	28000		1000
	EC4X36B	A80US2V090B16	15.1	13	28000		1030
	EC4X36B	A95UH1E045B12	15.5	12.5	28000		1015
	EC4X36B	A95UH1E070B12	15.5	12.5	28000		1045
	EC4X36B	A95UH2E045B12	15.1	13	28000		1015
	EC4X36B	A95UH2E070B12	15.1	13	28000		995
	EC4X36B	A96UH2E045B12	15.5	12.5	28000		1015
	EC4X36B	A96UH2E070B12	15.5	12.5	28000		1045
	EC4X36B	A96US2V045B12	15.1	13	28000		985
	EC4X36B	A96US2V070B12	16	13	28000		960
	EC4X36B	A97USMV070B12	16	13	28000		1050
	EC4X36B	EFV12BC	14.5	12.2	28000		1000
	EC4X36C	A95UH1E090C16	15.1	13	28000		950
	EC4X36C	A95UH2E090C16	16	13	28000		1000
	EC4X36C	A96UH2E090C16S	16	13	28000		1000
	EC4X36C	A96US2V090C12	16	13	28000		1015
	EC4X36C	A96US2V090C16	16	13	28000		955
	EC4X36C	A97USMV090C12	15.1	13	28000		1040
	EC4X36C	A97USMV090C16	15.1	13	28000		1040
	EC4X43C	A95UH1E090C16	16	13	28000		945
EC4X43C	A96UH2E090C16	16	13	28000		945	
EC4X48B	A80UH1E070B12	15.1	13	28000		1015	
EC4X48B	A80UH1E090B16	15.1	13	28000		1010	

Note:

1 Certified in accordance with Unitary Air Conditioner Certification Program, which is based on AHRI Standard 210/240

2 Required to achieve AHRI rating. If NA (Not Applicable) is in the piston column, then TXV is required.

3 A blower time delay relay is required to achieve AHRI rating. This feature is standard on all Allied Air Enterprises furnace and AH products.

COOLING PERFORMANCE WITH AIR HANDLERS AND FURNACES

Outdoor Model	Indoor Model	Variable Speed Furnace	SEER	EER	AHRI Rated Capacity BTUH	Sensible Capacity	CFM
	Evap Coil						
4SCU16LE130P-1	EC4X48B	A80US2V090B12	16	13	28000		1000
	EC4X48B	A80US2V090B16	15.1	13	28000		1030
	EC4X48B	A95UH1E045B12	15.1	13	28000		1015
	EC4X48B	A95UH1E070B12	15.1	13	28000		995
	EC4X48B	A95UH2E045B12	15.1	13	28000		1015
	EC4X48B	A95UH2E070B12	15.1	13	28000		995
	EC4X48B	A96US2V045B12	15.1	13	28000		985
	EC4X48B	A96US2V070B12	15.1	13	28000		960
	EC4X48B	A97USMV070B12	15.1	13	28000		1050
	EC4X48B	EFV12BC	14.5	12.2	28000		1000
	EC4X48C	A95UH1E090C16	15.1	13	28000		1005
	EC4X48C	A95UH2E090C16	15.1	13	28000		1000
	EC4X48C	A96US2V090C12	15.1	13	28000		1015
	EC4X48C	A96US2V090C16	16	13	28000		955
	EC4X48C	A97USMV090C12	15.1	13	28000		1040
	EC4X48C	A97USMV090C16	15.1	13	28000		1040
	ED1P24A+H4TXV01	A80DF1E045A12	14	12.2	26000		975
	ED1P24B+H4TXV01	A80DF1E070B12	14	12.2	26000		975
	ED1P24B+H4TXV01	A80DS2V090B16	14	12.2	26000		970
	ED1P24B+H4TXV01	A96DS2V045B12	14	12.2	26000		965
	ED1P24B+H4TXV01	A97DSMV070B12	14	12.2	26000		970
	ED1P30/36A+H4TXV01	A80DF1E045A12	15	12.5	28000		1000
	ED1P30/36A+H4TXV01	A80DS2V070A12	15	12.5	28000		1010
	ED1P30/36B+H4TXV01	A80DF1E070B12	15	12.5	28000		985
	ED1P30/36B+H4TXV01	A80DF1E090B16	15	12.5	28000		945
	ED1P30/36B+H4TXV01	A80DS2V090B16	15	12.5	28000		990
	ED1P30/36B+H4TXV01	A95DF1E045B12	15	12.5	28000		985
	ED1P30/36B+H4TXV01	A95DF1E070B16	15	12.5	28000		1015
	ED1P30/36B+H4TXV01	A96DF2E045B12	15	12.5	28000		985
	ED1P30/36B+H4TXV01	A96DF2E070B16	15	12.5	28000		1015
	ED1P30/36B+H4TXV01	A96DS2V045B12	15	12.5	28000		1000
	ED1P30/36B+H4TXV01	A96DS2V070B16	15	12.5	28000		995
ED1P30/36B+H4TXV01	A97DSMV070B12	15	12.5	28000		985	
4SCU16LE136P-1	BCE3M36C****P		14	12.2	34000		1200
	BCE3M36E****X		14	12.2	34000		1200
	BCE3M36V****4X		14.5	12.2	34000		1200
	BCE3M42E****X		16	13	34000		1200
	BCE3M42V****4X		16	13	34000		1200
	BCE3M48E****4X		16	13	34000		1200
	BCE4M36S*		15	12.5	34000		1200
	BCE4M48S*		16	13	34000		1200
	E*1P36A	A80UH1E045A12	14.5	12.2	34000		1230
	E*1P36A	A80US2V070A12	15.1	13	34000		1200

Note:

1 Certified in accordance with Unitary Air Conditioner Certification Program, which is based on AHRI Standard 210/240

2 Required to achieve AHRI rating. If NA (Not Applicable) is in the piston column, then TXV is required.

3 A blower time delay relay is required to achieve AHRI rating. This feature is standard on all Allied Air Enterprises furnace and AH products.

COOLING PERFORMANCE WITH AIR HANDLERS AND FURNACES

Outdoor Model	Indoor Model	Variable Speed Furnace	SEER	EER	AHRI Rated Capacity BTUH	Sensible Capacity	CFM
	Evap Coil						
4SCU16LE136P-1	E*1P36B	A80UH1E090B16	15.1	12.5	34000		1180
	E*1P36B	A80US2V090B12	16	13	34000		1200
	E*1P36B	A80US2V090B16	16	13	34000		1205
	E*1P36B	A95UH1E045B12	14.5	12.2	34000		1190
	E*1P36B	A95UH1E070B12	14.5	12.2	34000		1200
	E*1P36B	A95UH2E045B12	14.5	12.2	34000		1190
	E*1P36B	A95UH2E070B12	14.5	12.2	34000		1200
	E*1P36B	A96UH2E070B12	14.5	12.2	34000		1200
	E*1P36B	A96US2V045B12	15.1	13	34000		1205
	E*1P36B	A96US2V070B12	15.1	13	34000		1215
	E*1P36B	A97USMV070B12	15.1	13	34000		1205
	E*1P36B	EFV12BC	15.1	13	34000		1200
	E*1P36B+A4TXV01	A95UH1E070B12	15	12.5	34000		1215
	E*1P36B+A4TXV01	A96UH2E070B12	15	12.5	34000		1215
	E*1P36B+TDR	A80UH1E070B12	16	13	34000		1155
	E*1P36C	A80UH1E090C20	15.1	13	34000		1200
	E*1P36C	A95UH1E090C16	15.1	13	34000		1200
	E*1P36C	A95UH1E110C20	15.1	13	34000		1195
	E*1P36C	A95UH2E110C20	15.1	13	34000		1195
	E*1P36C	A96US2V090C12	16	13	34000		1200
	E*1P36C	A96US2V090C16	16	13	34000		1165
	E*1P36C	A97USMV090C12	16	13	34000		1210
	E*1P36C	A97USMV090C16	16	13	34000		1235
	E*1P36C	EFV16CC	15.1	13	34000		1200
	E*1P36C	L85UF1V67/87E14	14.5	12.2	34000		1220
	E*1P43B	A80UH1E070B12	15.1	12.2	34000		1225
	E*1P43B	A80UH1E090B16	15.1	12.5	34000		1180
	E*1P43B	A80US2V090B12	16	13	34000		1200
	E*1P43B	A80US2V090B16	16	13	34000		1205
	E*1P43B	A95UH1E045B12	14.5	12.2	34000		1190
	E*1P43B	A95UH1E070B12	15.1	12.2	34000		1200
	E*1P43B	A95UH2E045B12	14.5	12.2	34000		1190
	E*1P43B	A95UH2E070B12	14.5	12.2	34000		1200
	E*1P43B	A96UH2E045B12	14.5	12.2	34000		1190
	E*1P43B	A96US2V045B12	15.1	13	34000		1205
	E*1P43B	A96US2V070B12	15.1	13	34000		1215
	E*1P43B	A97USMV070B12	15.1	13	34000		1205
	E*1P43B	EFV12BC	15.1	13	34000		1200
	E*1P43B+A4TXV01	A95UH1E045B12	15	12.5	34000		1215
	E*1P43B+A4TXV01	A95UH1E070B12	15.1	12.5	34000		1215
	E*1P43B+A4TXV01	A96UH2E045B12	15	12.5	34000		1215
	E*1P43B+A4TXV01	A96UH2E070B12	15.1	12.5	34000		1215
	E*1P43C	A80UH1E090C20	15.1	12.5	34000		1200

Note:

1 Certified in accordance with Unitary Air Conditioner Certification Program, which is based on AHRI Standard 210/240

2 Required to achieve AHRI rating. If NA (Not Applicable) is in the piston column, then TXV is required.

3 A blower time delay relay is required to achieve AHRI rating. This feature is standard on all Allied Air Enterprises furnace and AH products.

COOLING PERFORMANCE WITH AIR HANDLERS AND FURNACES

Outdoor Model	Indoor Model	Variable Speed Furnace	SEER	EER	AHRI Rated Capacity BTUH	Sensible Capacity	CFM
	Evap Coil						
4SCU16LE136P-1	E*1P43C	A95UH1E090C16	16	13	34000		1200
	E*1P43C	A95UH1E110C20	15.1	13	34000		1195
	E*1P43C	A95UH2E110C20	15.1	13	34000		1195
	E*1P43C	A96UH2E110C20	14.5	12.2	34000		1195
	E*1P43C	A96US2V090C12	16	13	34000		1200
	E*1P43C	A96US2V090C16	16	13	34000		1165
	E*1P43C	EFV16CC	15.1	13	34000		1200
	E*1P43C	L85UF1V67/87E14	14.5	12.2	34000		1220
	E*1P43C+A4TXV01	A95UH1E090C16	15.5	12.5	34000		1155
	E*1P43C+A4TXV01	A95UH1E110C20	16	13	34000		1215
	E*1P43C+A4TXV01	A96UH2E110C20	16	13	34000		1215
	E*1P48B	A80UH1E070B12	16	13	34000		1155
	E*1P49C+A4TXV01	A95UH1E090C16	16	13	34000		1155
	E*1P49C+A4TXV01	A95UH1E110C20	16	13	34000		1215
	E*1P49C+A4TXV01	A96UH2E090C16	16	13	34000		1155
	E*1P49C+A4TXV01	A96UH2E110C20	16	13	34000		1215
	E*1P50C+A4TXV01	A95UH1E110C20	16	13	34000		1215
	E*1P50C+A4TXV01	A96UH2E110C20	16	13	34000		1215
	EC4X36A	A80UH1E045A12	14.5	12.2	34000		1230
	EC4X36A	A80US2V070A12	15.1	13	34000		1200
	EC4X36B	A80UH1E090B16	15.1	12.5	34000		1180
	EC4X36B	A80US2V090B12	16	13	34000		1200
	EC4X36B	A80US2V090B16	16	13	34000		1205
	EC4X36B	A95UH1E045B12	14.5	12.2	34000		1190
	EC4X36B	A95UH1E070B12	15	12.5	34000		1215
	EC4X36B	A95UH2E045B12	14.5	12.2	34000		1190
	EC4X36B	A95UH2E070B12	14.5	12.2	34000		1200
	EC4X36B	A96UH2E070B12	15	12.5	34000		1215
	EC4X36B	A96US2V045B12	15.1	13	34000		1205
	EC4X36B	A96US2V070B12	15.1	13	34000		1215
	EC4X36B	A97USMV070B12	15.1	13	34000		1205
	EC4X36B	EFV12BC	15.1	13	34000		1200
	EC4X36B+TDR	A80UH1E070B12	16	13	34000		1155
	EC4X36C	A80UH1E090C20	15.1	13	34000		1200
	EC4X36C	A95UH1E090C16	15.1	13	34000		1200
	EC4X36C	A95UH1E110C20	15.1	13	34000		1195
	EC4X36C	A95UH2E110C20	15.1	13	34000		1195
	EC4X36C	A96US2V090C12	16	13	34000		1200
	EC4X36C	A96US2V090C16	16	13	34000		1165
	EC4X36C	A97USMV090C12	16	13	34000		1210
	EC4X36C	A97USMV090C16	16	13	34000		1235
	EC4X36C	EFV16CC	15.1	13	34000		1200
EC4X36C	L85UF1V67/87E14	14.5	12.2	34000		1220	

Note:

1 Certified in accordance with Unitary Air Conditioner Certification Program, which is based on AHRI Standard 210/240

2 Required to achieve AHRI rating. If NA (Not Applicable) is in the piston column, then TXV is required.

3 A blower time delay relay is required to achieve AHRI rating. This feature is standard on all Allied Air Enterprises furnace and AH products.

COOLING PERFORMANCE WITH AIR HANDLERS AND FURNACES

Outdoor Model	Indoor Model	Variable Speed Furnace	SEER	EER	AHRI Rated Capacity BTUH	Sensible Capacity	CFM
	Evap Coil						
4SCU16LE136P-1	EC4X43B	A80UH1E070B12	15.1	12.2	34000		1225
	EC4X43B	A80UH1E090B16	15.1	12.5	34000		1180
	EC4X43B	A80US2V090B12	16	13	34000		1200
	EC4X43B	A80US2V090B16	16	13	34000		1205
	EC4X43B	A95UH1E045B12	15	12.5	34000		1215
	EC4X43B	A95UH1E070B12	15.1	12.5	34000		1215
	EC4X43B	A95UH2E045B12	14.5	12.2	34000		1190
	EC4X43B	A95UH2E070B12	14.5	12.2	34000		1200
	EC4X43B	A96UH2E045B12	15	12.5	34000		1215
	EC4X43B	A96UH2E070B12	15.1	12.5	34000		1215
	EC4X43B	A96US2V045B12	15.1	13	34000		1205
	EC4X43B	A96US2V070B12	15.1	13	34000		1215
	EC4X43B	A97USMV070B12	15.1	13	34000		1205
	EC4X43B	EFV12BC	15.1	13	34000		1200
	EC4X43C	A80UH1E090C20	15.1	12.5	34000		1200
	EC4X43C	A95UH1E090C16	15.5	12.5	34000		1155
	EC4X43C	A95UH1E110C20	16	13	34000		1215
	EC4X43C	A95UH2E110C20	15.1	13	34000		1195
	EC4X43C	A96UH2E110C20	16	13	34000		1215
	EC4X43C	A96US2V090C12	16	13	34000		1200
	EC4X43C	A96US2V090C16	16	13	34000		1165
	EC4X43C	EFV16CC	15.1	13	34000		1200
	EC4X43C	L85UF1V67/87E14	14.5	12.2	34000		1220
	EC4X48B	A80UH1E070B12	16	13	34000		1155
	EC4X49C	A95UH1E090C16	16	13	34000		1155
	EC4X49C	A95UH1E110C20	16	13	34000		1215
	EC4X49C	A96UH2E090C16	16	13	34000		1155
	EC4X49C	A96UH2E110C20	16	13	34000		1215
	EC4X50C	A95UH1E110C20	16	13	34000		1215
	EC4X50C	A96UH2E110C20	16	13	34000		1215
	ED1P30/36A+H4TXV01	A80DF1E045A12	14	12.2	33000		1215
	ED1P30/36A+H4TXV01	A80DS2V070A12	15	12.5	33000		1165
	ED1P30/36B+H4TXV01	A80DF1E070B12	15	12.5	33000		1110
	ED1P30/36B+H4TXV01	A80DF1E090B16	15	12.5	33000		1165
	ED1P30/36B+H4TXV01	A80DS2V090B16	15	12.5	33000		1200
	ED1P30/36B+H4TXV01	A95DF1E070B16	15	12.5	33000		1155
	ED1P30/36B+H4TXV01	A96DF2E070B16	15	12.5	33000		1155
	ED1P30/36B+H4TXV01	A96DS2V045B12	14	12.2	33000		1210
	ED1P30/36B+H4TXV01	A96DS2V070B16	14	12.2	33000		1230
	ED1P30/36B+H4TXV01	A97DSMV070B12	14	12.5	33000		1230
ED1P48B+H4TXV02	A80DF1E070B12	15	12.5	34000		1220	
ED1P48B+H4TXV02	A80DF1E090B16	15	12.5	34000		1165	
ED1P48B+H4TXV02	A80DS2V090B16	15	12.5	34000		1270	

Note:

1 Certified in accordance with Unitary Air Conditioner Certification Program, which is based on AHRI Standard 210/240

2 Required to achieve AHRI rating. If NA (Not Applicable) is in the piston column, then TXV is required.

3 A blower time delay relay is required to achieve AHRI rating. This feature is standard on all Allied Air Enterprises furnace and AH products.

COOLING PERFORMANCE WITH AIR HANDLERS AND FURNACES

Outdoor Model	Indoor Model	Variable Speed Furnace	SEER	EER	AHRI Rated Capacity BTUH	Sensible Capacity	CFM
	Evap Coil						
4SCU16LE136P-1	ED1P48B+H4TXV02	A95DF1E045B12	15	12.5	34000		1150
	ED1P48B+H4TXV02	A95DF1E070B16	15	12.5	34000		1155
	ED1P48B+H4TXV02	A96DF2E045B12	15	12.5	34000		1150
	ED1P48B+H4TXV02	A96DF2E070B16	15	12.5	34000		1155
	ED1P48B+H4TXV02	A96DS2V045B12	15	12.5	34000		1210
	ED1P48B+H4TXV02	A96DS2V070B16	15	12.5	34000		1230
	ED1P48B+H4TXV02	A97DSMV070B12	15	12.5	34000		1150
	ED1P48C+H4TXV02	A80DF1E110C20	16	13	34000		1200
	ED1P48C+H4TXV02	A80DS2V110C20	16	13	34000		1225
	ED1P48C+H4TXV02	A95DF1E090C16	15	12.5	34000		1185
	ED1P48C+H4TXV02	A95DF1E110C20	15	12.5	34000		1190
	ED1P48C+H4TXV02	A96DF2E090C16	15	12.5	34000		1185
	ED1P48C+H4TXV02	A96DF2E110C20	15	12.5	34000		1190
	ED1P48C+H4TXV02	A96DS2V090C20	15	12.5	34000		1270
	ED1P48C+H4TXV02	A96DS2V110C20	15	12.5	34000		1275
	ED1P48C+H4TXV02	A97DSMV090C16	16	13	34000		1220
	ED1P48C+H4TXV02	A97DSMV090C20	15	12.5	34000		1265
	ED1P48C+H4TXV02	A97DSMV110C20	15	12.5	34000		1270
	4SCU16LE141P-1	BCE3M42C***P+H4TXV02		14	12.2	36000	
BCE3M42V***4X			16	13	38000		1350
BCE3M48C***P+H4TXV02			14.5	12.2	36000		1350
BCE3M48V***4X			16	13	38000		1350
BCE4M48S*			16	13	38000		1400
E(U,C,H)1P49C+A4TXV02		A80UH1E090C20*	16	13	38000		1400
E(U,C,H)1P49C+A4TXV02		A80UH1E110C20*	16	13	38000		1400
E(U,C,H)1P49C+A4TXV02		A80US2V090C20	16	13	38000		1400
E(U,C,H)1P49C+A4TXV02		A80US2V110C20	15.1	13	38000		1400
E(U,C,H)1P49C+A4TXV02		A95UH1E090C16S	15.1	12.5	38000		1350
E(U,C,H)1P49C+A4TXV02		A95UH1E110C20S	15.1	13	38000		1400
E(U,C,H)1P49C+A4TXV02		A95UH2E090C16S	15.1	13	38000		1350
E(U,C,H)1P49C+A4TXV02		A95UH2E110C20S	15.1	13	38000		1400
E(U,C,H)1P49C+A4TXV02		A96UH2E090C16S	15.1	13	38000		1350
E(U,C,H)1P49C+A4TXV02		A96UH2E110C20S	16	13.5	39500		1465
E(U,C,H)1P49C+A4TXV02		A96US2V090C16S	15.1	13	38000		1400
E(U,C,H)1P49C+A4TXV02		A96US2V090C20S	15.1	13	38000		1400
E(U,C,H)1P49C+A4TXV02		A96US2V110C16S	15.1	13	38000		1400
E(U,C,H)1P49C+A4TXV02		A96US2V110C20S	15.1	13	38000		1400
E(U,C,H)1P49C+A4TXV02		A97USMV090C16*	15.1	13	38000		1400
E(U,C,H)1P49C+A4TXV02		A97USMV090C20*	15.1	13	38000		1400
E(U,C,H)1P49C+A4TXV02		A97USMV110C20*	15.1	13	38000		1400
E(U,C,H)1P49C+A4TXV02		EFV16CC	15.5	12.7	38000		1400
E(U,C,H)1P62C+A4TXV02		A80UH1E090C20*	16	13	38000		1400
E(U,C,H)1P62C+A4TXV02		A80UH1E110C20*	16	13	38000		1400

Note:

1 Certified in accordance with Unitary Air Conditioner Certification Program, which is based on AHRI Standard 210/240

2 Required to achieve AHRI rating. If NA (Not Applicable) is in the piston column, then TXV is required.

3 A blower time delay relay is required to achieve AHRI rating. This feature is standard on all Allied Air Enterprises furnace and AH products.

COOLING PERFORMANCE WITH AIR HANDLERS AND FURNACES

Outdoor Model	Indoor Model	Variable Speed Furnace	SEER	EER	AHRI Rated Capacity BTUH	Sensible Capacity	CFM
	Evap Coil						
4SCU16LE141P-1	E(U,C,H)1P62C+A4TXV02	A80US2V090C20	15.1	13	38000		1400
	E(U,C,H)1P62C+A4TXV02	A80US2V110C20	15.1	13	38000		1400
	E(U,C,H)1P62C+A4TXV02	A95UH1E090C16S	15.1	12.5	38000		1350
	E(U,C,H)1P62C+A4TXV02	A95UH1E110C20S	15.1	13	38000		1400
	E(U,C,H)1P62C+A4TXV02	A95UH2E090C16S	15.1	13	38000		1350
	E(U,C,H)1P62C+A4TXV02	A95UH2E110C20S	15.1	13	38000		1400
	E(U,C,H)1P62C+A4TXV02	A96US2V090C16S	16	13	38000		1400
	E(U,C,H)1P62C+A4TXV02	A96US2V090C20S	15.1	13	38000		1400
	E(U,C,H)1P62C+A4TXV02	A96US2V110C16S	15.1	13	38000		1400
	E(U,C,H)1P62C+A4TXV02	A96US2V110C20S	16	13	38000		1400
	E(U,C,H)1P62C+A4TXV02	A97USMV090C16*	15.1	13	38000		1400
	E(U,C,H)1P62C+A4TXV02	A97USMV090C20*	15.1	13	38000		1400
	E(U,C,H)1P62C+A4TXV02	A97USMV110C20*	15.1	13	38000		1400
	E(U,C,H)1P62C+A4TXV02	EFV16CC	15.1	12.5	38000		1400
	E*1P49C+H4TXV02	A80UH1E090C20	16	13	38000		1370
	E*1P49C+H4TXV02	A80UH1E110C20	16	13	38000		1370
	EC4X49C	A80UH1E090C20	16	13	38000		1370
	EC4X49C	A80UH1E090C20*	16	13	38000		1400
	EC4X49C	A80UH1E110C20	16	13	38000		1370
	EC4X49C	A80UH1E110C20*	16	13	38000		1400
	EC4X49C	A80US2V090C20	16	13	38000		1400
	EC4X49C	A80US2V110C20	15.1	13	38000		1400
	EC4X49C	A95UH1E090C16S	15.1	12.5	38000		1350
	EC4X49C	A95UH1E110C20S	15.1	13	38000		1400
	EC4X49C	A95UH2E090C16S	15.1	13	38000		1350
	EC4X49C	A95UH2E110C20S	15.1	13	38000		1400
	EC4X49C	A96UH2E090C16S	15.1	13	38000		1350
	EC4X49C	A96UH2E110C20S	16	13.5	39500		1465
	EC4X49C	A96US2V090C16S	15.1	13	38000		1400
	EC4X49C	A96US2V090C20S	15.1	13	38000		1400
	EC4X49C	A96US2V110C16S	15.1	13	38000		1400
	EC4X49C	A96US2V110C20S	15.1	13	38000		1400
	EC4X49C	A97USMV090C16*	15.1	13	38000		1400
	EC4X49C	A97USMV090C20*	15.1	13	38000		1400
	EC4X49C	A97USMV110C20*	15.1	13	38000		1400
	EC4X49C	EFV16CC	15.5	12.7	38000		1400
	EC4X62C	A80UH1E090C20*	16	13	38000		1400
	EC4X62C	A80UH1E110C20*	16	13	38000		1400
	EC4X62C	A80US2V090C20	15.1	13	38000		1400
	EC4X62C	A80US2V110C20	15.1	13	38000		1400
	EC4X62C	A95UH1E090C16S	15.1	12.5	38000		1350
	EC4X62C	A95UH1E110C20S	15.1	13	38000		1400
	EC4X62C	A95UH2E090C16S	15.1	13	38000		1350

Note:
 1 Certified in accordance with Unitary Air Conditioner Certification Program, which is based on AHRI Standard 210/240
 2 Required to achieve AHRI rating. If NA (Not Applicable) is in the piston column, then TXV is required.
 3 A blower time delay relay is required to achieve AHRI rating. This feature is standard on all Allied Air Enterprises furnace and AH products.

COOLING PERFORMANCE WITH AIR HANDLERS AND FURNACES

Outdoor Model	Indoor Model	Variable Speed Furnace	SEER	EER	AHRI Rated Capacity BTUH	Sensible Capacity	CFM
	Evap Coil						
4SCU16LE141P-1	EC4X62C	A95UH2E110C20S	15.1	13	38000		1400
	EC4X62C	A96US2V090C16S	16	13	38000		1400
	EC4X62C	A96US2V090C20S	15.1	13	38000		1400
	EC4X62C	A96US2V110C16S	15.1	13	38000		1400
	EC4X62C	A96US2V110C20S	16	13	38000		1400
	EC4X62C	A97USMV090C16*	15.1	13	38000		1400
	EC4X62C	A97USMV090C20*	15.1	13	38000		1400
	EC4X62C	A97USMV110C20*	15.1	13	38000		1400
	EC4X62C	EFV16CC	15.1	12.5	38000		1400
	ED1P50/60C+H4TXV02	A80DF1E110C20	15	12.5	38000		1425
	ED1P50/60C+H4TXV02	A80DS2V110C20	16	13	39000		1405
	ED1P50/60C+H4TXV02	A95DF1E090C16	15	12.5	38000		1370
	ED1P50/60C+H4TXV02	A95DF1E110C20	15	12.5	38000		1420
	ED1P50/60C+H4TXV02	A96DF2E090C16	15	12.5	38000		1370
	ED1P50/60C+H4TXV02	A96DF2E110C20	15	12.5	38000		1420
	ED1P50/60C+H4TXV02	A96DS2V090C20	15	12.5	36000		1270
	ED1P50/60C+H4TXV02	A96DS2V110C20	15	12.5	38000		1425
	4SCU16LE142P-1	BCE3M42C****P		14	12.2	40000	
BCE3M42C****P+H4TXV02			14	12.2	40000		1400
BCE3M42E****X			14.5	12.2	40000		1400
BCE3M42V****4X			15	12.5	41000		1450
BCE3M48E****4X			14	12.2	40000		1400
BCE4M48S*			15.1	13	40000		1400
E*1P49C+A4TXV02		A95UH1E090C16	15.5	12.5	41000		1355
E*1P49C+A4TXV02		A95UH1E110C20	15.5	12.5	41000		1460
E*1P49C+A4TXV02		A96UH2E090C16	15.5	12.5	41000		1355
E*1P49C+A4TXV02		A96UH2E110C20	15.5	12.5	41000		1460
E*1P49C+H4TXV02		A80UH1E090C20	15.1	13	41000		1400
E*1P49C+H4TXV02		A80UH1E110C20	15.1	13	41000		1400
E*1P49C+H4TXV02		A80US2V090C20	15.1	13	41000		1400
E*1P49C+H4TXV02		A80US2V110C20	15.1	13	41000		1400
E*1P49C+H4TXV02		A95UH1E090C16	15.1	13	41000		1355
E*1P49C+H4TXV02		A95UH1E110C20	14.5	12.2	41000		1400
E*1P49C+H4TXV02		A95UH2E090C16	14	12.2	41000		1400
E*1P49C+H4TXV02		A95UH2E110C20	14.5	12.2	41000		1400
E*1P49C+H4TXV02		A96US2V090C16	15.1	13	41000		1400
E*1P49C+H4TXV02		A96US2V090C20	15.1	13	41000		1400
E*1P49C+H4TXV02		A96US2V110C16	15.1	13	41000		1400
E*1P49C+H4TXV02		A96US2V110C20	15.1	13	41000		1400
E*1P49C+H4TXV02		A97USMV090C16	14.5	12.2	41000		1400
E*1P49C+H4TXV02		A97USMV090C20	15.1	13	41000		1400
E*1P49C+H4TXV02		A97USMV110C20	15.1	13	41000		1400
E*1P49C+H4TXV02		EFV16CC	14	12.2	41000		1400

Note:

1 Certified in accordance with Unitary Air Conditioner Certification Program, which is based on AHRI Standard 210/240

2 Required to achieve AHRI rating. If NA (Not Applicable) is in the piston column, then TXV is required.

3 A blower time delay relay is required to achieve AHRI rating. This feature is standard on all Allied Air Enterprises furnace and AH products.

COOLING PERFORMANCE WITH AIR HANDLERS AND FURNACES

Outdoor Model	Indoor Model	Variable Speed Furnace	SEER	EER	AHRI Rated Capacity BTUH	Sensible Capacity	CFM
	Evap Coil						
4SCU16LE142P-1	E*1P62C+A4TXV02	A95UH1E090C16	16	13	41000		1345
	E*1P62C+A4TXV02	A95UH1E110C20	16	13	41000		1455
	E*1P62C+A4TXV02	A96UH2E090C16	16	13	41000		1345
	E*1P62C+A4TXV02	A96UH2E110C20	16	13	41000		1455
	E*1P62C+H4TXV02	A80UH1E090C20	15.1	13	41000		1400
	E*1P62C+H4TXV02	A80UH1E110C20	15.1	13	41000		1400
	E*1P62C+H4TXV02	A80US2V090C20	15.1	13	41000		1400
	E*1P62C+H4TXV02	A80US2V110C20	15.1	13	41000		1400
	E*1P62C+H4TXV02	A95UH1E090C16	15.1	13	41000		1355
	E*1P62C+H4TXV02	A95UH1E110C20	14.5	12.2	41000		1400
	E*1P62C+H4TXV02	A95UH2E090C16	14	12.2	41000		1400
	E*1P62C+H4TXV02	A95UH2E110C20	15.1	13	41000		1400
	E*1P62C+H4TXV02	A97USMV090C16	15.1	13	41000		1400
	E*1P62C+H4TXV02	A97USMV090C20	15.1	13	41000		1400
	E*1P62C+H4TXV02	A97USMV110C20	15.1	13	41000		1400
	E*1P62C+H4TXV02	EFV16CC	14.5	12.2	41000		1400
	EC4X49C	A80UH1E090C20	15.1	13	41000		1400
	EC4X49C	A80UH1E110C20	15.1	13	41000		1400
	EC4X49C	A80US2V090C20	15.1	13	41000		1400
	EC4X49C	A80US2V110C20	15.1	13	41000		1400
	EC4X49C	A95UH1E090C16	15.1	13	41000		1355
	EC4X49C	A95UH1E110C20	14.5	12.2	41000		1400
	EC4X49C	A95UH2E090C16	14	12.2	41000		1400
	EC4X49C	A95UH2E110C20	14.5	12.2	41000		1400
	EC4X49C	A96UH2E090C16	15.5	12.5	41000		1355
	EC4X49C	A96UH2E110C20	15.5	12.5	41000		1460
	EC4X49C	A96US2V090C16	15.1	13	41000		1400
	EC4X49C	A96US2V090C20	15.1	13	41000		1400
	EC4X49C	A96US2V110C16	15.1	13	41000		1400
	EC4X49C	A96US2V110C20	15.1	13	41000		1400
	EC4X49C	A97USMV090C16	14.5	12.2	41000		1400
	EC4X49C	A97USMV090C20	15.1	13	41000		1400
	EC4X49C	A97USMV110C20	15.1	13	41000		1400
	EC4X49C	EFV16CC	14	12.2	41000		1400
	EC4X62C	A80UH1E090C20	15.1	13	41000		1400
	EC4X62C	A80UH1E110C20	15.1	13	41000		1400
	EC4X62C	A80US2V090C20	15.1	13	41000		1400
	EC4X62C	A80US2V110C20	15.1	13	41000		1400
	EC4X62C	A95UH1E090C16	15.1	13	41000		1355
	EC4X62C	A95UH1E110C20	14.5	12.2	41000		1400
	EC4X62C	A95UH2E090C16	14	12.2	41000		1400
	EC4X62C	A95UH2E110C20	15.1	13	41000		1400
EC4X62C	A96UH2E090C16	16	13	41000		1345	

Note:

1 Certified in accordance with Unitary Air Conditioner Certification Program, which is based on AHRI Standard 210/240

2 Required to achieve AHRI rating. If NA (Not Applicable) is in the piston column, then TXV is required.

3 A blower time delay relay is required to achieve AHRI rating. This feature is standard on all Allied Air Enterprises furnace and AH products.

COOLING PERFORMANCE WITH AIR HANDLERS AND FURNACES

Outdoor Model	Indoor Model	Variable Speed Furnace	SEER	EER	AHRI Rated Capacity BTUH	Sensible Capacity	CFM
	Evap Coil						
4SCU16LE142P-1	EC4X62C	A96UH2E110C20	16	13	41000		1455
	EC4X62C	A97USMV090C16	15.1	13	41000		1400
	EC4X62C	A97USMV090C20	15.1	13	41000		1400
	EC4X62C	A97USMV110C20	15.1	13	41000		1400
	EC4X62C	EFV16CC	14.5	12.2	41000		1400
	ED1P48B+H4TXV02	A80DS2V090B16	14	12.2	40000		1400
	ED1P48C+H4TXV02	A80DF1E110C20	15	12.5	40000		1385
	ED1P48C+H4TXV02	A80DS2V110C20	15	12.5	40000		1405
	ED1P48C+H4TXV02	A95DF1E090C16	15	12.5	40000		1340
	ED1P48C+H4TXV02	A95DF1E110C20	15	12.5	40000		1415
	ED1P48C+H4TXV02	A96DF2E090C16	15	12.5	40000		1340
	ED1P48C+H4TXV02	A96DF2E110C20	15	12.5	40000		1415
	ED1P48C+H4TXV02	A96DS2V090C20	14	12.2	40000		1450
	ED1P48C+H4TXV02	A97DSMV090C20	14	12.2	40000		1445
	ED1P50/60C+H4TXV02	A80DF1E110C20	15	12.5	41000		1425
	ED1P50/60C+H4TXV02	A80DS2V110C20	15	12.5	41000		1405
	ED1P50/60C+H4TXV02	A95DF1E090C16	15	12.5	41000		1365
	ED1P50/60C+H4TXV02	A95DF1E110C20	15	12.5	41000		1450
	ED1P50/60C+H4TXV02	A96DF2E090C16	15	12.5	41000		1365
	ED1P50/60C+H4TXV02	A96DF2E110C20	15	12.5	41000		1450
	ED1P50/60C+H4TXV02	A96DS2V090C20	15	12.5	41000		1450
	ED1P50/60C+H4TXV02	A96DS2V110C20	15	12.5	41000		1440
	ED1P50/60C+H4TXV02	A97DSMV090C16	15	12.5	41000		1425
	ED1P50/60C+H4TXV02	A97DSMV090C20	15	12.5	41000		1445
	ED1P50/60C+H4TXV02	A97DSMV110C20	15	12.5	41000		1440
	4SCU16LE147P-1	BCE3M48C****P+H4TXV02		15.1	12.5	46500	
BCE3M48E****X			16	13	46500		1600
BCE3M48V****4X			16	13	45500		1600
BCE4M48S*			16	13	47000		1600
BCE4M60S*			16	13	47000		1600
E(U,C)1P62D+A4TXV02		A80UH1E135D20*	15.1	12.5	47000		1600
E(U,C)1P62D+A4TXV02		A80US2V135D20	15.1	12.5	47000		1600
E(U,C)1P62D+A4TXV02		A95UH1E135D20S	15.1	12.5	47000		1600
E(U,C)1P62D+A4TXV02		A95UH2E135D20S	15.1	12.5	47000		1600
E(U,C)1P62D+A4TXV02		A96US2V135D20S	15.1	12.5	47000		1600
E(U,C)1P62D+A4TXV02		A97USMV135D20*	15.1	12.5	47000		1600
E(U,C)1P62D+A4TXV02		EFV20DC	15.1	12.5	47000		1600
E(U,C,H)1P49C+A4TXV02		A80UH1E090C20*	16	13	47000		1550
E(U,C,H)1P49C+A4TXV02		A80US2V090C20	16	13	47000		1600
E(U,C,H)1P49C+A4TXV02		A80US2V110C20	16	13	47000		1600
E(U,C,H)1P49C+A4TXV02		A95UH1E110C20S	16	13	47000		1550
E(U,C,H)1P49C+A4TXV02		A95UH2E090C16S	15.1	13	47000		1600
E(U,C,H)1P49C+A4TXV02		A95UH2E110C20S	14.5	12	47000		1600

Note:

1 Certified in accordance with Unitary Air Conditioner Certification Program, which is based on AHRI Standard 210/240

2 Required to achieve AHRI rating. If NA (Not Applicable) is in the piston column, then TXV is required.

3 A blower time delay relay is required to achieve AHRI rating. This feature is standard on all Allied Air Enterprises furnace and AH products.

COOLING PERFORMANCE WITH AIR HANDLERS AND FURNACES

Outdoor Model	Indoor Model	Variable Speed Furnace	SEER	EER	AHRI Rated Capacity BTUH	Sensible Capacity	CFM
	Evap Coil						
4SCU16LE147P-1	E(U,C,H)1P49C+A4TXV02	A96US2V090C16S	15.1	12.5	47000		1600
	E(U,C,H)1P49C+A4TXV02	A96US2V090C20S	15.1	12.5	47000		1600
	E(U,C,H)1P49C+A4TXV02	A96US2V110C16S	15.1	13	47000		1600
	E(U,C,H)1P49C+A4TXV02	A96US2V110C20S	15.1	13	47000		1600
	E(U,C,H)1P49C+A4TXV02	A97USMV090C16*	15.1	12.5	47000		1600
	E(U,C,H)1P49C+A4TXV02	A97USMV090C20*	15.1	13	47000		1600
	E(U,C,H)1P49C+A4TXV02	A97USMV110C20*	16	13	47000		1600
	E(U,C,H)1P49C+A4TXV02	EFV16CC	15.1	13	47000		1600
	E(U,C,H)1P62C+A4TXV02	A80UHIE090C20*	16	13	47000		1550
	E(U,C,H)1P62C+A4TXV02	A80US2V090C20	16	13	47000		1600
	E(U,C,H)1P62C+A4TXV02	A80US2V110C20	16	13	47000		1600
	E(U,C,H)1P62C+A4TXV02	A95UHIE110C20S	16	13	47000		1550
	E(U,C,H)1P62C+A4TXV02	A95UH2E090C16S	15.1	13	47000		1600
	E(U,C,H)1P62C+A4TXV02	A95UH2E110C20S	14.5	12	47000		1600
	E(U,C,H)1P62C+A4TXV02	A96UH2E090C16S	15.7	13	47000		1560
	E(U,C,H)1P62C+A4TXV02	A96UH2E110C20S	15.7	13	47000		1560
	E(U,C,H)1P62C+A4TXV02	A96US2V090C16S	15.1	13	47000		1600
	E(U,C,H)1P62C+A4TXV02	A96US2V090C20S	15.1	13	47000		1600
	E(U,C,H)1P62C+A4TXV02	A96US2V110C16S	16	13	47000		1600
	E(U,C,H)1P62C+A4TXV02	A96US2V110C20S	15.1	13	47000		1600
	E(U,C,H)1P62C+A4TXV02	A97USMV090C16*	15.1	13	47000		1600
	E(U,C,H)1P62C+A4TXV02	A97USMV090C20*	15.1	13	47000		1600
	E(U,C,H)1P62C+A4TXV02	A97USMV110C20*	16	13	47000		1600
	E(U,C,H)1P62C+A4TXV02	EFV16CC	15.5	13	47000		1600
	EC4X49C	A80UHIE090C20*	16	13	47000		1550
	EC4X49C	A80US2V090C20	16	13	47000		1600
	EC4X49C	A80US2V110C20	16	13	47000		1600
	EC4X49C	A95UHIE110C20S	16	13	47000		1550
	EC4X49C	A95UH2E090C16S	15.1	13	47000		1600
	EC4X49C	A95UH2E110C20S	14.5	12	47000		1600
	EC4X49C	A96US2V090C16S	15.1	12.5	47000		1600
	EC4X49C	A96US2V090C20S	15.1	12.5	47000		1600
	EC4X49C	A96US2V110C16S	15.1	13	47000		1600
	EC4X49C	A96US2V110C20S	15.1	13	47000		1600
	EC4X49C	A97USMV090C16*	15.1	12.5	47000		1600
	EC4X49C	A97USMV090C20*	15.1	13	47000		1600
	EC4X49C	A97USMV110C20*	16	13	47000		1600
	EC4X49C	EFV16CC	15.1	13	47000		1600
	EC4X62C	A80UHIE090C20*	16	13	47000		1550
	EC4X62C	A80US2V090C20	16	13	47000		1600
	EC4X62C	A80US2V110C20	16	13	47000		1600
	EC4X62C	A95UHIE110C20S	16	13	47000		1550
EC4X62C	A95UH2E090C16S	15.1	13	47000		1600	
EC4X62C	A95UH2E110C20S	14.5	12	47000		1600	

Note:
 1 Certified in accordance with Unitary Air Conditioner Certification Program, which is based on AHRI Standard 210/240
 2 Required to achieve AHRI rating. If NA (Not Applicable) is in the piston column, then TXV is required.
 3 A blower time delay relay is required to achieve AHRI rating. This feature is standard on all Allied Air Enterprises furnace and AH products.

COOLING PERFORMANCE WITH AIR HANDLERS AND FURNACES

Outdoor Model	Indoor Model	Variable Speed Furnace	SEER	EER	AHRI Rated Capacity BTUH	Sensible Capacity	CFM
	Evap Coil						
4SCU16LE147P-1	EC4X62C	A96UH2E090C16S	15.7	13	47000		1560
	EC4X62C	A96UH2E110C20S	15.7	13	47000		1560
	EC4X62C	A96US2V090C16S	15.1	13	47000		1600
	EC4X62C	A96US2V090C20S	15.1	13	47000		1600
	EC4X62C	A96US2V110C16S	16	13	47000		1600
	EC4X62C	A96US2V110C20S	15.1	13	47000		1600
	EC4X62C	A97USMV090C16*	15.1	13	47000		1600
	EC4X62C	A97USMV090C20*	15.1	13	47000		1600
	EC4X62C	A97USMV110C20*	16	13	47000		1600
	EC4X62C	EFV16CC	15.5	13	47000		1600
	EC4X62D	A80UH1E135D20*	15.1	12.5	47000		1600
	EC4X62D	A80US2V135D20	15.1	12.5	47000		1600
	EC4X62D	A95UH1E135D20S	15.1	12.5	47000		1600
	EC4X62D	A95UH2E135D20S	15.1	12.5	47000		1600
	EC4X62D	A96US2V135D20S	15.1	12.5	47000		1600
	EC4X62D	A97USMV135D20*	15.1	12.5	47000		1600
	EC4X62D	EFV20DC	15.1	12.5	47000		1600
	ED1P50/60C+H4TXV02	A80DF1E110C20	15	12.5	45000		1595
	ED1P50/60C+H4TXV02	A80DS2V110C20	15	12.5	45500		1595
	ED1P50/60C+H4TXV02	A95DF1E090C16	14	12.2	44500		1570
ED1P50/60C+H4TXV02	A95DF1E110C20	14	12.2	44500		1565	
ED1P50/60C+H4TXV02	A96DF2E090C16	14	12.2	44500		1570	
ED1P50/60C+H4TXV02	A96DF2E110C20	14	12.2	44500		1565	
4SCU16LE148P-1	BCE3M48C****P+H4TXV02		14	12	46500		1600
	BCE3M48E****X		15.1	12.5	46500		1600
	BCE3M48V****4X		15	11.7	47000		1600
	BCE4M48S*		15	12.5	47000		1600
	BCE4M60S*		15	12.5	47000		1600
	E*1P49C+A4TXV02	A96UH2E090C16S	14.5	12	46000		1560
	E*1P49C+A4TXV02	A96UH2E110C20S	14.5	12	46000		1560
	E*1P49C+H4TXV02	A80US2V090C20	14.5	12	46500		1600
	E*1P49C+H4TXV02	A80US2V110C20	14.5	12	46500		1600
	E*1P49C+H4TXV02	A95UH2E090C16S	14.5	11.7	46000		1600
	E*1P49C+H4TXV02	A96US2V090C16S	14.25	12	46000		1600
	E*1P49C+H4TXV02	A96US2V090C20S	14.5	12	46000		1600
	E*1P49C+H4TXV02	A96US2V110C16S	14.5	11.7	46000		1600
	E*1P49C+H4TXV02	A97USMV110C20*	14.5	12	46500		1600
	E*1P49C+H4TXV02	L85B*1V104/118F20	14	12	46000		1600
	E*1P60D+H4TXV02	A80US2V135D20	14.5	12	46000		1600
	E*1P60D+H4TXV02	A96US2V135D20S	14.5	12	46000		1600
	E*1P62C+H4TXV02	A80UH1E090C20*	15.1	12.5	46500		1545
	E*1P62C+H4TXV02	A80UH1E110C20*	15.1	13	46500		1500
	E*1P62C+H4TXV02	A80US2V090C20	14.5	12	46500		1600
E*1P62C+H4TXV02	A80US2V110C20	14.5	12	46500		1600	

Note:

1 Certified in accordance with Unitary Air Conditioner Certification Program, which is based on AHRI Standard 210/240

2 Required to achieve AHRI rating. If NA (Not Applicable) is in the piston column, then TXV is required.

3 A blower time delay relay is required to achieve AHRI rating. This feature is standard on all Allied Air Enterprises furnace and AH products.

COOLING PERFORMANCE WITH AIR HANDLERS AND FURNACES

Outdoor Model	Indoor Model	Variable Speed Furnace	SEER	EER	AHRI Rated Capacity BTUH	Sensible Capacity	CFM
	Evap Coil						
4SCU16LE148P-1	E*1P62C+H4TXV02	A95UH2E090C16S	14.5	11.7	46500		1600
	E*1P62C+H4TXV02	A96US2V090C16S	14.25	12	46500		1600
	E*1P62C+H4TXV02	A96US2V090C20S	14.5	12	46500		1600
	E*1P62C+H4TXV02	A96US2V110C16S	14.5	12	46500		1600
	E*1P62C+H4TXV02	A96US2V110C20S	14.5	12	46500		1600
	E*1P62C+H4TXV02	A97USMV110C20*	14.5	12	46500		1600
	E*1P62D+H4TXV02	A80UH1E135D20*	14.5	12	46500		1600
	E*1P62D+H4TXV02	A80US2V135D20	14.5	12	46500		1600
	E*1P62D+H4TXV02	A96US2V135D20S	14.5	12	46500		1600
	E*1P62D+H4TXV02	A97USMV135D20*	14.5	12	46000		1600
	EC4X49C	A80US2V090C20	14.5	12	46500		1600
	EC4X49C	A80US2V110C20	14.5	12	46500		1600
	EC4X49C	A95UH2E090C16S	14.5	11.7	46000		1600
	EC4X49C	A96UH2E090C16S	14.5	12	46000		1560
	EC4X49C	A96UH2E110C20S	14.5	12	46000		1560
	EC4X49C	A96US2V090C16S	14.25	12	46000		1600
	EC4X49C	A96US2V090C20S	14.5	12	46000		1600
	EC4X49C	A96US2V110C16S	14.5	11.7	46000		1600
	EC4X49C	A97USMV110C20*	14.5	12	46500		1600
	EC4X49C	L85B*1V104/118F20	14	12	46000		1600
	EC4X62C	A80UH1E090C20*	15.1	12.5	46500		1545
	EC4X62C	A80UH1E110C20*	15.1	13	46500		1500
	EC4X62C	A80US2V090C20	14.5	12	46500		1600
	EC4X62C	A80US2V110C20	14.5	12	46500		1600
	EC4X62C	A95UH2E090C16S	14.5	11.7	46500		1600
	EC4X62C	A96US2V090C16S	14.25	12	46500		1600
	EC4X62C	A96US2V090C20S	14.5	12	46500		1600
	EC4X62C	A96US2V110C16S	14.5	12	46500		1600
	EC4X62C	A96US2V110C20S	14.5	12	46500		1600
	EC4X62C	A97USMV110C20*	14.5	12	46500		1600
	EC4X62D	A80UH1E135D20*	14.5	12	46500		1600
	EC4X62D	A80US2V135D20	14.5	12	46500		1600
	EC4X62D	A96US2V135D20S	14.5	12	46500		1600
	EC4X62D	A97USMV135D20*	14.5	12	46000		1600
	ED1P48C+H4TXV02	A80DF1E110C20	14	11.7	46500		1545
	ED1P48C+H4TXV02	A80DS2V110C20	14	11.7	46500		1585
	ED1P48C+H4TXV02	A95DF1E110C20	14	11.7	46500		1510
	ED1P48C+H4TXV02	A96DF2E110C20	14	11.7	46500		1510
	ED1P50/60C+H4TXV02	A80DF1E110C20	14	11.7	47500		1595
	ED1P50/60C+H4TXV02	A80DS2V110C20	14	11.7	47000		1585
	ED1P50/60C+H4TXV02	A95DF1E110C20	14	11.7	47000		1565
	ED1P50/60C+H4TXV02	A96DF2E110C20	14	11.7	47000		1565
ED1P50/60C+H4TXV02	A96DS2V090C20	14	11.7	47000		1600	

Note:
 1 Certified in accordance with Unitary Air Conditioner Certification Program, which is based on AHRI Standard 210/240
 2 Required to achieve AHRI rating. If NA (Not Applicable) is in the piston column, then TXV is required.
 3 A blower time delay relay is required to achieve AHRI rating. This feature is standard on all Allied Air Enterprises furnace and AH products.

COOLING PERFORMANCE WITH AIR HANDLERS AND FURNACES

Outdoor Model	Indoor Model	Variable Speed Furnace	SEER	EER	AHRI Rated Capacity BTUH	Sensible Capacity	CFM
	Evap Coil						
4SCU16LE159P-1	ED1P50/60C+H4TXV02	A96DS2V110C20	14	11.7	47000		1585
	ED1P50/60C+H4TXV02	A97DSMV090C16	14	11.7	47000		1625
	ED1P50/60C+H4TXV02	A97DSMV090C20	14	11.7	47000		1600
	ED1P50/60C+H4TXV02	A97DSMV110C20	14	11.7	47000		1580
	BCE3M48C****P		14	12	57000		1800
	BCE3M48C****P+H4TXV03		14	12	57000		1800
	BCE3M60C****P+H4TXV03		14	12	57000		1800
	BCE3M60E****X		14.5	12	57000		1800
	BCE3M60V****4X		14.5	12	56000		1780
	BCE4M60S*		14.5	12	57000		1800
	E*1P62C+A4TXV02	A96UH2E110C20S	15.1	12.2	57000		1740
	E*1P62C+H4TXV03	A80UH1E090C20	15.2	12.5	57000		1770
	E*1P62C+H4TXV03	A80UH1E110C20	14.5	12.5	57000		1800
	E*1P62C+H4TXV03	A80US2V090C20	14.5	12.5	57000		1800
	E*1P62C+H4TXV03	A95UH1E110C20	15.2	12.6	57000		1740
	E*1P62C+H4TXV03	A96US2V110C16S	14.5	12.5	57000		1760
	E*1P62C+H4TXV03	A96US2V110C20S	14.5	12.5	57000		1710
	E*1P62C+H4TXV03	A97USMV110C20	14.5	12.5	57000		1770
	E*1P62D+H4TXV03	A80UH1E135D20	15.1	12.5	57000		1800
	E*1P62D+H4TXV03	A96US2V135D20S	14.5	12	57000		1800
	E*1P62D+H4TXV03	A97USMV135D20	14.5	12.5	57000		1800
	EC4X62C	A80UH1E090C20	15.2	12.5	57000		1770
	EC4X62C	A80UH1E110C20	14.5	12.5	57000		1800
	EC4X62C	A80US2V090C20	14.5	12.5	57000		1800
	EC4X62C	A95UH1E110C20	15.2	12.6	57000		1740
	EC4X62C	A96UH2E110C20S	15.1	12.2	57000		1740
	EC4X62C	A96US2V110C16S	14.5	12.5	57000		1760
	EC4X62C	A96US2V110C20S	14.5	12.5	57000		1710
	EC4X62C	A97USMV110C20	14.5	12.5	57000		1770
	EC4X62D	A80UH1E135D20	15.1	12.5	57000		1800
	EC4X62D	A96US2V135D20S	14.5	12	57000		1800
	EC4X62D	A97USMV135D20	14.5	12.5	57000		1800
	ED1P50/60C+H4TXV02	A80DF1E110C20	14	12.2	56000		1800
	ED1P50/60C+H4TXV02	A80DS2V110C20	14	12.2	56000		1770
	ED1P50/60C+H4TXV02	A95DF1E110C20	14	11.7	55500		1700
	ED1P50/60C+H4TXV02	A96DF2E110C20	14	11.7	55500		1700
	ED1P50/60C+H4TXV02	A97DSMV090C20	14	11.7	56500		1750
	ED1P50/60C+H4TXV02	A97DSMV110C20	14	11.7	55500		1790

Note:

1 Certified in accordance with Unitary Air Conditioner Certification Program, which is based on AHRI Standard 210/240

2 Required to achieve AHRI rating. If NA (Not Applicable) is in the piston column, then TXV is required.

3 A blower time delay relay is required to achieve AHRI rating. This feature is standard on all Allied Air Enterprises furnace and AH products.

COOLING PERFORMANCE WITH AIR HANDLERS AND FURNACES

Outdoor Model	Indoor Model	Variable Speed Furnace	SEER	EER	AHRI Rated Capacity BTUH	Sensible Capacity	CFM
	Evap Coil						
4SCU16LE160P-1	BCE3M60C****P+H4TXV03		14	12	58000		1800
	BCE3M60V****4X		14.5	11.7	58000		1780
	BCE4M60S*		14	12	58000		1800
	ED1P50/60C+H4TXV03	A80DF1E110C20	14	11.7	57000		1800
	ED1P50/60C+H4TXV03	A80DS2V110C20	14	11.7	56500		1770
	ED1P50/60C+H4TXV03	A95DF1E110C20	14	11.7	57000		1800
	ED1P50/60C+H4TXV03	A96DF2E110C20	14	11.7	57000		1800

Note:

1 Certified in accordance with Unitary Air Conditioner Certification Program, which is based on AHRI Standard 210/240

2 Required to achieve AHRI rating. If NA (Not Applicable) is in the piston column, then TXV is required.

3 A blower time delay relay is required to achieve AHRI rating. This feature is standard on all Allied Air Enterprises furnace and AH products.

COOLING PERFORMANCE — EXTENDED RATINGS

Outdoor Model	Indoor Model	Indoor Temp DB/ WB °F	Outdoor Temperature - DB °F														
			65°			82°			95°			105°			115°		
			Btuh	S/T	kW	Btuh	S/T	kW	Btuh	S/T	kW	Btuh	S/T	kW	Btuh	S/T	kW
4SCU16LE118P-7	E*1P23	85/72	24,600	0.61	1.24	23,500	0.63	1.47	22,600	0.64	1.65	20,800	0.68	1.85	19,000	0.71	2.04
		80/67	22,700	0.68	1.23	21,300	0.71	1.47	20,300	0.73	1.65	18,800	0.76	1.62	17,400	0.78	2.03
		75/63	21,100	0.71	1.22	19,500	0.74	1.44	18,300	0.76	1.62	16,800	0.80	1.82	15,200	0.84	2.02
		75/57	18,721	1.00	1.20	17,800	1.00	1.44	17,000	1.00	1.62	15,700	1.00	1.82	14,400	1.00	2.02
4SCU16LE124P-7	E*1P29	85/72	27,700	0.62	1.52	27,400	0.63	1.80	27,200	0.64	2.02	25,700	0.67	2.26	24,200	0.70	2.50
		80/67	26,300	0.69	1.51	25,600	0.71	1.79	25,000	0.73	2.00	23,300	0.77	1.62	20,700	0.80	2.49
		75/63	25,500	0.71	1.50	23,900	0.74	1.78	22,600	0.77	1.99	21,000	0.80	2.24	19,500	0.83	2.48
		75/57	23,000	1.00	1.49	21,600	1.00	1.77	20,600	1.00	1.99	19,200	1.00	2.24	17,700	1.00	2.49
4SCU16LE130P-7	E*1P29	85/72	32,000	0.59	1.52	30,900	0.63	2.02	30,000	0.66	2.41	28,400	0.70	2.67	26,800	0.74	2.94
		80/67	30,600	0.66	1.80	30,200	0.69	2.17	29,900	0.72	2.45	26,900	0.78	2.68	24,000	0.84	2.91
		75/63	29,000	0.73	1.79	27,100	0.77	2.12	25,700	0.80	2.37	23,600	0.84	2.63	21,400	0.88	2.89
		75/57	26,500	1.00	1.79	24,900	1.00	2.13	23,700	1.00	2.38	22,000	1.00	2.64	20,200	1.00	2.89
4SCU16LE136P-7	E*1P36B	85/72	41,200	0.62	2.18	39,000	0.64	2.56	37,300	0.66	2.86	35,300	0.69	3.20	33,200	0.71	3.54
		80/67	38,400	0.69	2.16	35,900	0.73	2.56	34,000	0.76	2.86	32,200	0.78	1.62	30,500	0.80	3.55
		75/63	36,000	0.71	2.15	33,700	0.74	2.55	32,000	0.77	2.85	30,100	0.80	3.19	28,400	0.82	3.53
		75/57	30,600	1.00	2.14	29,500	1.00	2.54	28,700	1.00	2.85	27,500	1.00	3.18	26,100	1.00	3.51
4SCU16LE142P-7	E*1P49C	85/72	48,500	0.64	2.57	47,300	0.66	3.02	46,300	0.67	3.36	43,800	0.69	3.74	41,300	0.71	4.12
		80/67	46,500	0.70	2.56	44,000	0.73	3.01	42,200	0.75	3.35	39,500	0.78	1.62	36,800	0.81	4.06
		75/63	43,700	0.74	2.54	41,000	0.76	2.97	39,000	0.78	3.31	36,000	0.82	3.65	32,800	0.85	4.00
		75/57	39,700	1.00	2.53	37,700	1.00	2.95	36,200	1.00	3.28	33,900	1.00	3.94	31,300	1.00	4.60
4SCU16LE141P-4	E*1P49C	85/72	46,000	0.75	1.71	43,733	0.77	2.02	42,000	0.79	2.26	39,700	0.82	2.59	37,400	0.84	2.91
		80/67	45,000	0.76	1.70	42,167	0.79	2.01	40,000	0.81	2.25	37,800	0.84	2.58	35,600	0.87	2.90
		75/63	42,500	0.77	1.69	40,233	0.80	2.00	38,500	0.83	2.24	36,650	0.86	2.57	34,800	0.89	2.89
		75/57	40,000	0.79	1.68	38,017	0.82	1.99	36,500	0.84	2.23	35,000	0.88	2.50	33,500	0.91	2.77
4SCU16LE147P-4	E*1P62C	85/72	54,000	0.81	2.10	52,583	0.79	2.56	51,500	0.77	2.91	48,750	0.72	3.33	46,000	0.66	3.75
		80/67	53,000	0.82	2.00	50,733	0.80	2.51	49,000	0.79	2.90	46,500	0.81	3.33	44,000	0.83	3.75
		75/63	50,500	0.83	1.99	48,233	0.82	2.50	46,500	0.81	2.89	44,250	0.87	3.30	42,000	0.92	3.71
		75/57	47,000	0.85	1.98	44,733	0.84	2.49	43,000	0.83	2.88	41,500	0.90	3.29	40,000	0.97	3.70
4SCU16LE148P-4	E*1P62C	85/72	56,600	0.63	2.99	54,107	0.66	55.36	52,200	0.68	3.88	49,050	0.70	4.29	45,900	0.72	4.70
		80/67	53,100	0.70	2.97	50,607	0.73	3.47	48,700	0.75	3.85	44,500	0.79	4.26	40,300	0.83	4.66
		75/63	50,600	0.72	2.94	46,633	0.76	3.44	43,600	0.79	3.82	39,500	0.84	4.24	35,400	0.88	4.66
		75/57	46,000	1.00	2.92	42,373	1.00	3.43	39,600	1.00	3.82	35,950	1.00	4.24	32,300	1.00	4.65
4SCU16LE159P-4	E*1P62C	85/72	61,200	0.63	3.50	60,633	0.64	4.24	60,200	0.65	4.80	58,350	0.68	5.39	56,500	0.70	5.97
		80/67	59,500	0.69	3.50	58,933	0.71	4.21	58,500	0.72	4.75	54,600	0.75	5.34	50,700	0.78	5.93
		75/63	57,800	0.72	3.48	55,760	0.74	4.18	54,200	0.76	4.72	49,850	0.79	5.33	45,500	0.82	5.93
		75/57	53,500	1.00	3.44	51,120	1.00	4.15	49,300	1.00	4.70	44,700	0.92	5.31	40,100	0.83	5.91
4SCU16LE160P-4	E*1P62C	85/72	66,300	0.64	4.41	63,600	0.67	4.89	61,600	0.70	5.27	57,900	0.72	5.46	54,200	0.73	5.42
		80/67	62,400	0.66	4.25	59,900	0.71	4.69	58,000	0.74	5.03	54,600	0.75	5.24	51,100	0.75	5.23
		75/63	57,800	0.70	4.03	55,500	0.74	4.50	53,700	0.77	4.87	50,600	0.79	5.06	47,300	0.81	5.04
		75/57	56,200	0.78	4.02	53,900	0.83	4.45	52,200	0.86	4.78	49,100	0.88	4.96	46,000	0.90	4.94

Extended data shown is actual for models listed and typical for all AHRI matches.

ACCESSORIES

Description	Where Used	Kit Number
Crankcase Heater	All models	93M04
Hard Start Kit	18	10J42
	24, 30, 36, 41, 42, 47, 48, 59, 60	88M91
Low Ambient Kit	All models	34M72
Short Cycle Protector	All models	47J27
Freezestat	3/8 tubing	93G35
	5/8 tubing	50A93
Time Delay Relay	All models	58M81
Loss of Charge Kit	All models	84M23 (factory installed)
Sound Blanket	18, 24, 30, 36, 41	14W00 (factory Installed)
	42, 47, 48, 59, 60	14W01 (factory installed)
TXV Kit	18, 24, 30	A4TXV01
	36, 42, 48, 60	A4TXV02



1-800-448-5872

All specifications and illustrations subject to change without notice and without incurring obligations.